



Discount is 7%

MEDm&bility

5711- 104 St, Edmonton AB. T6H 2K1

P: 780-437-3300 • Fax: 780-430-9381

AADL Vendor: 0000612578-001

www.medmobility.ca • www.mmrehab.ca

Order Date: _____

P.O.# _____

Phone: _____

City: _____

Province: _____ Postal Code: _____

1 FRAME TYPE

<input type="checkbox"/> Orion II	115	\$2,450
<input checked="" type="checkbox"/> Power Tilt	115MA31	\$1,600

2 FRAME FINISH

<input type="checkbox"/> Black	115C01	No Charge
--------------------------------	--------	-----------

3 SEAT WIDTH

<input type="checkbox"/> 15"	115SW15	No Charge
<input type="checkbox"/> 16"	115SW16	No Charge
<input type="checkbox"/> 17"	115SW17	No Charge
<input type="checkbox"/> 18"	115SW18	No Charge
<input type="checkbox"/> 19"	115SW19	No Charge
<input type="checkbox"/> 20"	115SW20	No Charge
<input checked="" type="checkbox"/> 21" (Weight Limit 350 lbs.)	W111 115SW21HD1	No Charge
<input checked="" type="checkbox"/> 22" (Weight Limit 350 lbs.)	W111 115SW22HD1	No Charge
<input checked="" type="checkbox"/> 23" (Weight Limit 350 lbs.)	W111 115SW23HD1	\$475
<input checked="" type="checkbox"/> 24" (Weight Limit 350 lbs.)	W111 115SW24HD1	\$475

4 SEAT DEPTH

<input type="checkbox"/> 15"	115SD15	No Charge
<input type="checkbox"/> 16"	115SD16	No Charge
<input type="checkbox"/> 17"	115SD17	No Charge
<input type="checkbox"/> 18"	115SD18	No Charge
<input type="checkbox"/> 19"	115SD19	No Charge
<input type="checkbox"/> 20"	115SD20	\$110
<input type="checkbox"/> 21"	W111 115SD21	\$225
<input type="checkbox"/> 22"	W111 115SD22	\$225
<input type="checkbox"/> 23"	W111 115SD23	\$225
<input type="checkbox"/> 24"	W111 115SD24	\$225

5 SEAT-TO-FLOOR HEIGHT (up to 350 lbs. weight capacity)

<input type="checkbox"/> 13.25" (20" Wheels and 4" Casters)	115STF01	\$225
<input type="checkbox"/> 14.5" (20" rear and 5" casters)	115STF02	No Charge
<input type="checkbox"/> 15" (20" Wheels and 5" Casters)	115STF03	No Charge
<input type="checkbox"/> 15.5" (22" Wheels and 5" Casters)	115STF25	No Charge
<input checked="" type="checkbox"/> 15.5" (12" Wheels and 6" Casters)	115STF26	\$195
<input type="checkbox"/> 16" (20" Wheels and 5" Casters)	115STF27	No Charge
<input type="checkbox"/> 16" (12" Wheels and 6" Casters)	115STF28	\$195
<input type="checkbox"/> 16" (24" Wheels and 6" Casters)	115STF29	No Charge
<input checked="" type="checkbox"/> 16" (22" Wheels and 6" Casters)	115STF06	No Charge
<input type="checkbox"/> 16 1/2" (24" Wheels and 6" Casters)	115STF30	No Charge
<input type="checkbox"/> 16 1/2" (24" Wheels and 7" Casters)	115STF31	No Charge
<input type="checkbox"/> 16 1/2" (22" Wheels and 7" Casters)	115STF08	No Charge
<input type="checkbox"/> 17" (24" Wheels and 7" Casters)	115STF32	No Charge
<input type="checkbox"/> 17" (22" Wheels and 8" Casters)	115STF33	No Charge
<input type="checkbox"/> 18" (24" Wheels and 8" Casters)	115STF11	Standard
<input type="checkbox"/> 19" (24" Wheels and 8" Casters) 1" Spacer	115STF34	No Charge
<input type="checkbox"/> 20" (24" Wheels and 8" Casters) 2" Spacer	115STF35	\$110

FOOTNOTES:

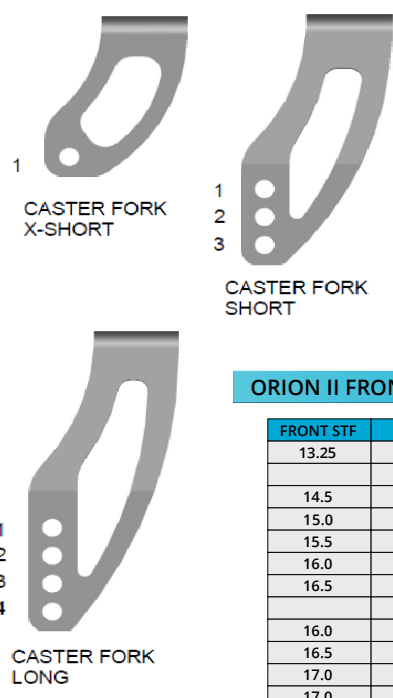
- A. Heavy Duty Package consisting of gusseted frame
- B. Quick release axles are used on 23"-24" wide chairs.
- C. Only available with pull to lock brakes.
- D. With 12" rear wheel you can only have push to lock brakes.
- R. Add 9.5" to seat width of chair on finished product (handrim to handrim)

* Options marked by an asterisk are not covered by AADL and are the client's financial responsibility.

A1 = Client's Responsibility
A2 = Clinical Justification

Standard Features:

- Seat Width 18"
- Seat Depth 18"
- Canes and Stroller Bar
- Heel Loops
- Seat to Floor 18"
- Rear Wheels 24"
- Casters 8"
- Multi Adjustable Axel Plate
- 70 Degree Front Rigging w/aluminum flip up footplate
- T-Style Height Adjustable Full Length Gel
- Choice of 2 colors - Black or Silver
- Anti-tippers
- Two way Padded, Contoured Headrest
- Adjustable Orion Back
- Prism Ideal Cushion
- Aluminum Seat Pan
- Push to Lock Wheel Locks



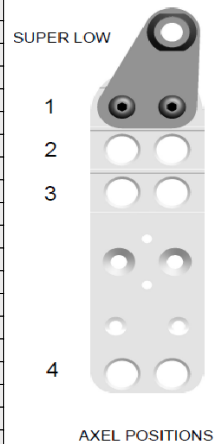
ORION II FRONT SEAT TO FLOOR HEIGHT MATRIX

FRONT STF	CASTER	FORK HOLE	STEM LENGTH
13.25	4"	1	X-SHORT
14.5	5"	1	SHORT
15.0	5"	2	SHORT
15.5	5"	3	SHORT
16.0	6"	3	SHORT
16.5	7"	3	SHORT
16.0	5"	3	LONG
16.5	6"	3	LONG
17.0	7"	3	LONG
17.0	8"	3	LONG
18.0	8"	4	LONG
* 19.0	8"	4	LONG
** 20.0	8"	4	LONG

* 1" RISER BLOCK REQUIRED
** 2" RISER BLOCK REQUIRED

FRONT STF	REAR WHEEL	AXEL POS.
13.25	20"	SUPER LOW
13.25	16"	2
14.5	20"	1
14.5	16"	3
15.0	20"	2
15.5	22"	1
15.5	12"	4
16.0	24"	1
16.0	22"	2
16.0	20"	3
16.0	12"	4
16.5	24"	1
16.5	22"	2
16.5	24"	1
17.0	24"	2
17.0	22"	3
18.0	16"	4
18.0	24"	3
* 19.0	24"	3
** 20.0	24"	3

* 1" RISER BLOCK REQUIRED
** 2" RISER BLOCK REQUIRED



6 REAR WHEEL RIM

- Mag Wheels 115RW09 No Charge
- Spoke Wheels 115RW10 No Charge

7 REAR WHEEL TIRE

- Airless (Solid Rubber) 115RT1 Standard
- Pneumatic 115RT2 No Charge

8 HANDRIM OPTIONS

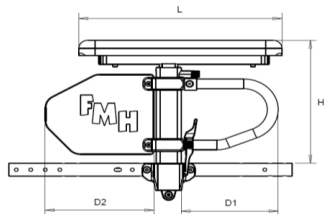
- Chrome 115HR1 Standard
- Plastic Coated 115HR2 \$160
- Omit Handrims 115HR3 No Charge

9 ARM TYPE

- Flip Back Adjustable Height 115AR10 \$125
- T-Style Adjustable Height 115AR04 Standard
- T-Style Adjustable Height Pin Release - Youth 115AR05 \$125
- T-Style Adjustable Height Pin Release - Adult 115AR06 \$125
- T-Style Fixed Height 115AR02 \$125
- 2-point Fixed Height Heavy Duty Arm 115AR13 \$125

Armrest Matrix for T-Style Pin Release Arm

Armrest Style	Transfer Tube Length D1	Arm Guard Length D2	H Range
Adult	6.75"	7.50"	9.50" - 14.50"
Youth	4.50"	5.0"	8.75" - 13.75"



Arm Pad Length L		
Desk	Full	Curved
10.25"	14.0"	17.0"

10 ARM PAD

- Desk length Vinyl 10" (pair) 115AP1 No Charge
- Full length Vinyl 14" (pair) 115AP2 No Charge
- Contour Gel 17" (pair) 115AP3 Standard
- Waterfall Arm Pads (pair) 115AP5 \$150

16 BACK OPTIONS - BASIC SEATING

- Orion Back 115BK00 \$150
- Prism Basic Back 115BK01 \$150
- Prism Ultra Back 115BK06 \$250
- Prism Air Back 115BK11 \$400
- Prism TrueFitt Back 115BK16 \$650
- Prism Max Ultra Back 115BK21 \$300
- Prism Max Air Back 115BK26 \$450
- Prism Max TrueFitt Back 115BK31 \$700
- Lunar Back Mid Basic Lateral 115BK39 \$550

W () x H ()

For other Backs, please fill in the required Backs Order Form and attach it to this order

12 BACK PINS

- Longer Pins for Back Hardware 1" Growth 115BP1 \$50
- Longer Pins for Back Hardware 2" Growth 115BP2 \$50

13 SEAT OPTIONS (CHOOSE ONE)⁶ - BASIC SEATING

- Prism Ideal Cushion 115SC01 \$100
- Prism Elite Cushion 115SC04 \$250
- Prism Supreme Cushion 115SC07 \$375
- Prism Supreme II Plus Cushion 115SC10 \$375
- Prism Supreme Air Cushion 115SC13 \$500
- Omit Cushion 115SC20 No Charge

W () x D ()

For other Cushions, please fill in the required Cushions Order Form and attach it to this order

FOOTNOTES:

G. Please refer to Backs order form for stock, non-stock, bariatric and custom
 H. Includes Swingway Calf Pads
 S. Pins not required for Lunar Backs

A1 = Clients Responsibility
 A2 = Clinical Justification

14 PUSH OPTIONS

- Stroller Bars Adjustable Hinged High 101SH5 No Charge
- Stroller Bars Adjustable Hinged Low 101SH6 No Charge
- Canes & Stroller Bars Fixed High 115SP2 No Charge
- Canes & Stroller Bars Fixed Low 115SP1 No Charge
- Stroller Bars Fixed High 115SH2 No Charge
- Stroller Bars Fixed Low 115SH1 No Charge
- Canes & Stroller Bars Fold Down High 115SP4 \$250
- Canes & Stroller Bars Fold Down Low 115SP3 \$250
- Stroller Bars Adjustable Angle Fold Down High 115SH4 \$250
- Stroller Bars Adjustable Angle Fold Down Low 115SH3 \$250
- Back Cane Angle (83, 90, 97, 104,111) Specify 115BA1 No Charge

14(A) RECLINE OPTIONS

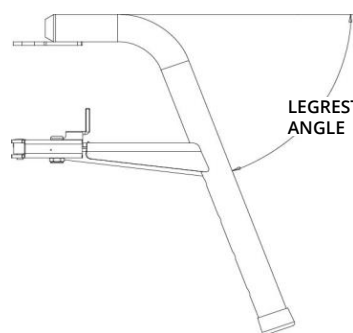
- Canes & Stroller Bars Recline High 115SP6 \$500
- Canes & Stroller Bars Recline Low 115SP5 \$500
- Stroller Bar Recline High 115SP12 \$500
- Stroller Bar Recline Low 115SP11 \$500

15 TRIGGER LOCATION

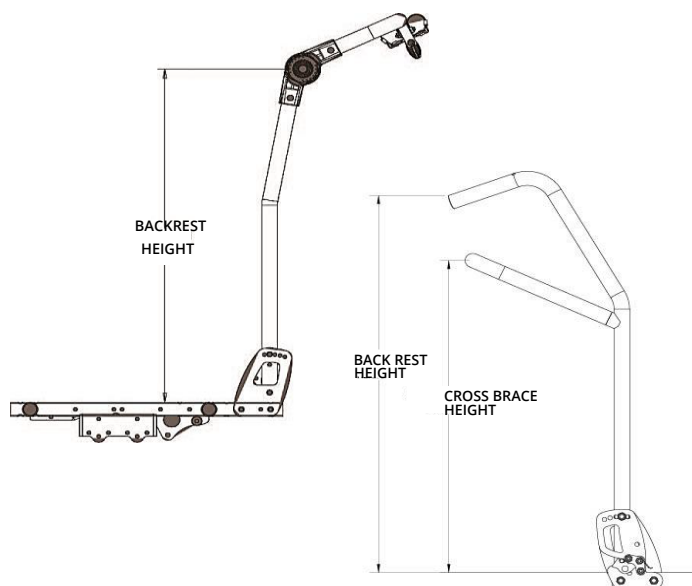
- Trigger Location - Push Cane 115TH1 No Charge
- Trigger Location - Stroller Bar 115TH2 No Charge
- Foot Tilt Release (Mounted onto left side) 115TH3 \$95
- Foot Tilt Release (Mounted onto right side) 115TH4 \$95

16 FRONT RIGGING

- 70 Degree Pin Style 115FR01 Standard
- 80 Degree Pin Style 115FR02 No Charge
- 60 Degree Swingaway Upgraded 115FR03 \$215
- 70 Degree Swingaway Upgraded 115FR04 \$215
- 90 Degree Swingaway Upgraded 115FR05 \$230
- A1 Elevating Legrest (pair) 115FR10 \$550
- Omit Front Rigging 115FR11 No Charge
- Omit Footrest Hanger 115FR12 No Charge



Wheelchair bariatric = \$150
 Lunar Swingaway Lateral = \$200



17 FOOTPLATE TYPE

<input type="checkbox"/>	Composite Flip Up Small		115FP01	No Charge
<input type="checkbox"/>	Composite Flip Up Large		115FP02	No Charge
<input type="checkbox"/>	Composite Angle Adjustable Flip-Up Spring Return Large	W107	115FP18	\$150
<input type="checkbox"/>	Aluminum Flip Up Small		115FP05	No Charge
<input type="checkbox"/>	Aluminum Flip Up Medium		115FP06	No Charge
<input type="checkbox"/>	Aluminum Flip Up Large		115FP07	No Charge
A2	Aluminum Angle Adj Flip Up Small	W107	115FP10	\$120
A2	Aluminum Angle Adj Flip Up Medium	W107	115FP11	\$120
A2	Aluminum Angle Adj Flip Up Large	W107	115FP12	\$120
^I	One Piece Footboard (15"-20")		115FP19	\$160
^I	One Piece Footboard (21"-24" Custom)		115FP20	\$195
<input type="checkbox"/>	One Piece Flip-Up Footboard, Padded		115FP26	\$210

18 FOOTREST/LEGREST ACCESSORIES

<input type="checkbox"/>	Heel Loops		115FA01	Standard
<input type="checkbox"/>	Omit Heel Loops		115FA02	No Charge
<input type="checkbox"/>	Padded Calf Strap - Basic Seating		115FA03	\$70
A1	Foam Guard on Elevating Legrest (pair) - Basic Seating		115FA05	\$70
A1	Foam Pad One Piece Footboard - Basic Seating		115FA06	\$50
A1	Foam Pad on Footplate (pair) - Basic Seating		115FA07	\$70

19 WHEEL LOCKS

<input type="checkbox"/>	Push-to-Lock Wheel Lock		115WL1	Standard
<input type="checkbox"/>	Pull-to-Lock Wheel Lock		115WL2	\$40
<input type="checkbox"/>	Wheel Lock Extension		115WL3	No Charge
A1	Attendant Wheel Lock (Foot Activated) RT		115WL8	\$356
A1	Attendant Wheel Lock (Foot Activated) LT		115WL9	\$356

20 ANTI TIP

<input type="checkbox"/>	Quick Flip Anti-Tippers		115MA23	Standard
--------------------------	-------------------------	--	---------	----------

21 HEADREST HARDWARE OPTION - BASIC SEATING

<input type="checkbox"/>	Fixed Headrest		115HE01	\$20
<input type="checkbox"/>	Fixed Headrest Curved		115HE15	\$25
<input type="checkbox"/>	Fixed Headrest (Plus 4")		115HE02	\$20
<input type="checkbox"/>	Fixed Headrest Curved (Plus 4")		115HE16	\$20
<input type="checkbox"/>	Single Multi Axial Headrest		115HE03	\$158
<input type="checkbox"/>	Single Multi Axial Curved Headrest		115HE17	\$175
<input type="checkbox"/>	Single Multi Axial Headrest (Plus 4")		115HE04	\$183
<input type="checkbox"/>	Single Multi Axial Curved Headrest (Plus 4")		115HE18	\$200
<input type="checkbox"/>	Dual Multi Axial Headrest		115HE05	\$195
<input type="checkbox"/>	Dual Multi Axial Curved Headrest		115HE19	\$225
<input type="checkbox"/>	Dual Multi Axial Headrest (Plus 4")		115HE06	\$220
<input type="checkbox"/>	Dual Multi Axial Curved Headrest (Plus 4")		115HE20	\$250

22 HEADREST FOAM PAD OPTIONS - BASIC SEATING

<input type="checkbox"/>	Small Headrest		115HF1	\$90
<input type="checkbox"/>	Small Headrest with Wings		115HF2	\$90
<input type="checkbox"/>	Medium Headrest		115HF7	\$90
<input type="checkbox"/>	Medium Headrest with Wings		115HF8	\$90
<input type="checkbox"/>	Large Headrest		115HF3	\$90
<input type="checkbox"/>	Large Headrest with Wings		115HF4	\$95
<input type="checkbox"/>	Pro-Fit Small Headrest		115HF12	\$100
<input type="checkbox"/>	Pro-Fit Medium Headrest		115HF13	\$105
<input type="checkbox"/>	Pro-Fit Large Headrest		115HF14	\$110
<input type="checkbox"/>	Omit Headrest		115HE09	No Charge

23 HEADREST ADAPTOR BRACKETS - BASIC SEATING

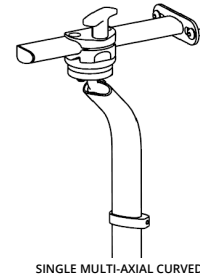
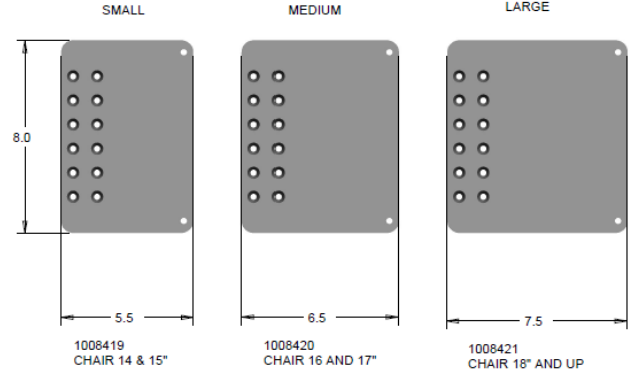
<input type="checkbox"/>	Universal Headrest Adaptor Bracket with Clamp		115HEBA	No Charge
--------------------------	---	--	---------	-----------

24 MISCELLANEOUS ACCESSORIES

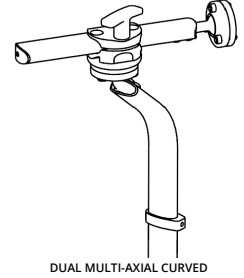
<input type="checkbox"/>	Tilt Locking Collar		115MA01	\$20
<input type="checkbox"/>	Recline Locking Collar		115MA02	\$20
<input type="checkbox"/>	Auto Seat Positioning Strap - Generic		115MA03	\$22
A1	IV Pole, telescopic		115MA20	\$168
<input type="checkbox"/>	Oxygen Tank Holder	W110	115MA21	\$173
<input type="checkbox"/>	Quick Release Axle		115AL1	\$110
A1	Spoke Guards available on 20", 22" and 24" wheels		115MA49	\$130
A1 ^N	Orion II Front and Rear Transit Hooks		115MA30	\$250
A1 ^{M,P}	Power Tilt		115MA31	\$1,600

MISCELLANEOUS ACCESSORIES - BASIC SEATING

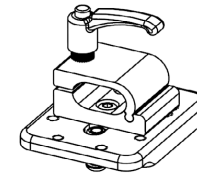
<input type="checkbox"/>	Padded Lap Tray 15"-16"	115MA09	\$285
<input type="checkbox"/>	Padded Lap Tray 17"-18"	115MA10	\$285
<input type="checkbox"/>	Padded Lap Tray 19"-20"	115MA11	\$285
<input type="checkbox"/>	Padded Lap Tray 21"-22"	115MA12	\$385
<input type="checkbox"/>	Padded Lap Tray 23"-24"	115MA13	\$385
<input type="checkbox"/>	Half Padded Lap Tray, left side	115MA14	\$350
<input type="checkbox"/>	Half Padded Lap Tray, right side	115MA15	\$350
<input type="checkbox"/>	Elbow Stop, left	115MA16	\$55
<input type="checkbox"/>	Elbow Stop, right	115MA17	\$55
^K	Shoulder Lateral Pad (each)	115MA18	\$90
^L	Adjustable Side Pad	115MA19	\$157



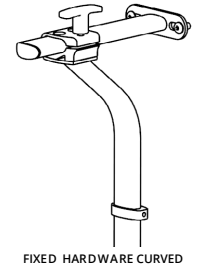
SINGLE MULTI-AXIAL CURVED



DUAL MULTI-AXIAL CURVED



UNIVERSAL HEADREST BRACKET



FIXED HARDWARE CURVED

Notes:

FOOTNOTES:

- I. Not available with 7" or 8" casters when footboard is facing back on 90 degree swingaway
- K. Only available with Stroller Bar push option
- L. Not available with Flip Back Arms
- M. Weight Capacity of Orion II with Power Tilt is 250 lbs. Power Tilt can only be placed on Orion II chairs with seat width of 15" to 20" Power Tilt provides approximately 42° of infinite tilt (3° to 45°) Includes: 2 Button Hand Control
- N. Transit Hooks can only be used on Orion II wheelchairs up to 350 lbs. weight capacity. Tested in accordance with ANSI/RESNA WC/19
- P. Powe Tilt comes with a 27V plugin battery charger, 24V battery/control box, compact actuator with 135mm and a stroke length of 5.31"

A1 = Clients Responsibility
A2 = Clinical Justification

WARRANTY

Future Mobility Healthcare warrants the Orion II to be free from defects in materials and workmanship for a period of one year from the date of purchase. The frame is warranted for the lifetime of the original purchaser and/or user. The batteries required for Power Tilt are warranted for six months while the control box, battery charger, actuator and hand control are warranted for one year.