



TDX-SP2 HD BASE WITH
MAXX BARIATRIC POWER POSITIONING SYSTEM
CDN PRICE LIST AND ORDER FORM -AADL W801HD/W990
Price Effective October 1, 2024



Discount is 6%

REQUIRED INFORMATION

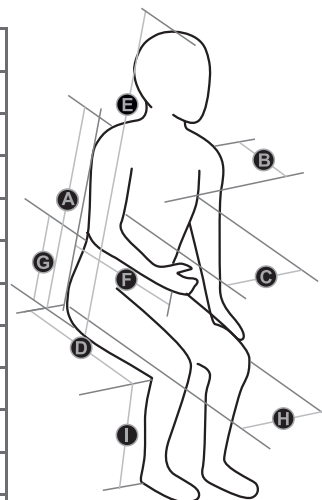
MEDmobility
5711- 104 St, Edmonton AB. T6H 2K1
P: 780-437-3300 • Fax: 780-430-9381
AADL Vendor: 0000612578-001
www.medmobility.ca • www.mmrehab.ca

RTS/Therapist: _____
Ship to Address: _____
City: _____ Province: _____
Postal Code: _____ Client Gender: M F
Special Client Conditions: _____

REQUIRED MEASUREMENTS

To ensure system is accurately configured please fill in all REQUIRED* measurements

Client Height*	
Client Weight (lbs)*	
A. Seat to Shoulder	
B. Trunk Depth	
C. Chest Width	
D. Knee to Back	
E. Seat to Top of Head	
F. Back to Joystick	
G. Seat to Elbow	
H. Hip Width	
I. Knee to Heel*	
Cushion Thickness	



Customer Service: 1.866.748-7943 | Fax: 1.905.695.0583 | www.motionconcepts.com

INVACARE POWER BASES

- TDXSP2HD TDX-SP2 HD Base\$8,275
- Select STF⁽¹⁾:
- HD-SLOW 17.25"⁽²⁾\$250
 - HD-LOW 17.75"
 - HD-MED 18.75"
 - HD-TALL 19.75"

1. Seat-to-floor height is measured at the front of the seat pan based on a standard seat size.
2. Must order Transport Brackets (TRBKTS). Only available on 17" seat depths and greater.

USER WEIGHT LIMITS

- U400 Weight Capacity up to 400 lbsSTD

TRANSPORT TIE DOWN

- TRBKTS Wheelchair Transport Brackets⁽¹⁾STD

1. For unoccupied use only

TIRE OPTIONS

- B1431-3 14" x 3" Black Tire with Gel Foam InsertsSTD
- B1430-3T 14" x 3" Black Tire - Pneumatic TireN/C

FORK OPTIONS

- DSFK Double-Sided Fork PackageSTD
- FKPKG Single-Sided Fork Package\$375

BATTERY TRAY TYPE

- 24TRY Group 24 Style Tray - Standard Base 25.5"N/C

FRAME FINISH

- 170P Obsidian Black **AADL COLOUR**N/C
- 173P Peacock Blue **AADL COLOUR**N/C
- 177P Artic BlueN/C
- 175P Lime TwistN/C
- 171P Ruby RedN/C
- 174P Purple PassionN/C
- 172P Denim Navy **AADL COLOUR**N/C

RIM INSERT COLORS - MUST PICK ONE

- 170PR Obsidian BlackN/C
- 172PR Denim NavyN/C
- 173PR Peacock BlueN/C
- 177PR Artic BlueN/C
- 175PR Lime TwistN/C
- 178PR Banana SplitN/C
- 179PR Orange Marmalade N/C
- 171PR Ruby RedN/C
- 176PR Pink FlamingoN/C
- 174PR Purple PassionN/C
- 180PR Morning MistN/C



LIGHTS AND INDICATORS

CLIENT COST

LIGHTS LED Lights and Indicators⁽¹⁾\$995

1. Must order REM216, REM400 or REM500

CONTROLLERS

EXPC Expandable ControllerSTD
 PWH Harness Required for Expandable System N/C
 GTRAC-LX LINX G-TRAC Module. \$1,200

EXPANDABLE DRIVE CONTROL

REM211 LED Expandable Remote/Joystick⁽¹⁾⁽²⁾ \$875
 Three drive functions, control of up to 6 actuators through the drive control. Not for use with specialty controls.

REM216 LED Expandable Remote/Joystick with Lights⁽²⁾⁽³⁾\$875
 Three drive functions, control of up to 6 actuators through the drive control and light operation. Not for use with specialty controls.

REM400 Colour 3.5" Touch Screen Remote/Joystick⁽²⁾⁽⁴⁾⁽⁵⁾ \$1,100
 SW400TGL Toggle Kit for REM400⁽⁶⁾\$200

REM500 LINX Colour 3.5" Touch Screen Display Only - No Driver Control⁽²⁾⁽³⁾⁽⁴⁾ \$1,100
 Select mounting position
 R5MR Right
 R5ML Left

1. Not available with lights and indicators
2. Must choose EXPC Expandable Controller and PWH Harness.
3. Must choose lighting package separately.
4. Can control lighting, must choose lighting package separately.
5. May also be used as display for specialty controls, chose specialty controls separately.
6. Adds 2 toggle switches to REM400.

ATTENDANT DRIVE CONTROL CHOICES

PRIOR APPROVAL REQUIRED

ACU Proportional Attendant Control \$1,024
 Select seating style for mounting type
 TAM Tilt & Elevate Mount
 RAM Recline Mount

Select mounting position
 RIGHT-ACU Right
 LEFT-ACU Left

SPECIALTY PROPORTIONAL CONTROLS

AADL CODE - W100

CREM LINX Compact Remote\$1,097
 CREM-LF LINX Compact Remote Low Force\$1,097
 Select mounting position
 MR Right
 ML Left

1. Requires REM400 or REM500

EXPANDABLE MODULES

OUT500 Output Module \$645
 IN200 LiNX Switch Input Module with Power ON/OFF for REM200 Series⁽¹⁾ \$645
 IN500 LiNX 9 Pin Input Module with Sip-N-Puff Nozzle⁽²⁾⁽³⁾⁽⁴⁾\$1,800
AADL CODE - W100.....\$1,800
 PKG32666 Therafin Sip-N-Puff Breath Tube Kit **AADL CODE - W100**..... \$440

1. Not for use with Alternative Drive Controls.
2. Only one input module per chair, requires REM400 or REM500.
3. Input module also required for any 9-pin specialty control.
4. 9 pin specialty control and Sip-N-Puff cannot both be used together.

MOUNTING FOR DRIVER CONTROLS

FM-ML Fixed Mounting LeftN/C
 FM-MR Fixed Mounting RightN/C
 SAQR Motion Height Adjustable Swing-Away Quad Link (Right Hand)⁽¹⁾ \$344
 SAQL Motion Height Adjustable Swing-Away Quad Link (Left Hand)⁽¹⁾ \$344
 MRR Maxx Resolve Swing-Away Joystick Mount (Right Hand)⁽¹⁾ \$450
 MRL Maxx Resolve Swing-Away Joystick Mount (Left Hand)⁽¹⁾ \$450

1. Not available with the REM500.

LINX ELECTRONIC ACCESSORIES

LAK LINX Access Key⁽¹⁾ **NOT COVERED UNDER AADL**\$50
 MUSB Motion Dual USB ChargerN/C

1.Required for programming

JOYSTICK TOPS

PC101A Bodypoint U Shaped Handle 3" \$120
 PC102A Bodypoint U Shaped Handle 4" \$120
 PC107A Bodypoint Rubber Dome..... \$120
 1560 T Handle Flexible Joystick Extension \$120
 1561 Straight Handle Flexible Joystick Extension \$120
 1826 Chin Cup \$120

1. To remove/disengage the joystick knob from the REM400 Remote pull straight up on the joystick (DO NOT TWIST) otherwise damage may occur and may void the warranty.

INSTALLATION OF BATTERIES

22NFBATTERY 22 NF Battery (On Chair) **AADL PRICING**
 24BATTERY 24 Gel Battery (On Chair) **AADL PRICING**

BATTERY CHARGER OPTION

110CHARGER 110 Volt Battery Charger.....N/C
 L8900 Omit Battery ChargerN/C

Maxx Bariatric Power Positioning
on Invacare TDX-SP2 HD Base

NOTE: Systems Include Seat Pan, Back Pan, and Standard Armrests. They are designed for use with a 2" - 3" cushion

Dealer Name: _____

Dealer Account Number: _____

PO #: _____

Tag: _____

BARIATRIC REHAB SEAT

MBRS Maxx Bariatric Rehab Seat \$3,995

BARIATRIC POWER POSITIONING SYSTEMS

MBT Maxx Bariatric CG Tilt \$7,995

MBTRE⁽¹⁾ Maxx Bariatric CG Tilt (45°) & Power Recline (150°) w/Extended Shear Reduction(ESR) \$12,595

MBRESR Modular Maxx Power Recline (150°) w/Extended Shear Reduction(ESR) \$10,350

1. Tilt will be reduced to 45° if adding an Elevating Lift Seat Module

ADD: HD ELEVATING LIFT SEAT MODULE

CLIENT COST

ESM10 10" Elevating Lift Seat Module⁽¹⁾⁽²⁾ \$2,995
Weight capacity up to 300lbs

1. Only Available with Tilt. Uses an integrated Tilt/Lift mechanism, tilt is 45°
2. Not available on seat sizes greater than 22" wide by 22" deep

MODULES MUST SELECT SYSTEM TO ADD MODULES

PRETILT 5° Fixed Pre-Tilt⁽¹⁾ N/C

8PR 8° Precline Module⁽¹⁾ only available with Recline N/C

30PR 30° Precline Module⁽¹⁾ only available with Recline \$500

1. Total degrees of recline is 150° ie. if 30° of precline is used, then 120° of recline will be available.

ADULT SEAT WIDTH SETTINGS

BW120 20" Wide (Adjustable from 20" to 24") N/C

BW121 21" Wide (Adjustable from 20" to 24") N/C

BW122 22" Wide (Adjustable from 20" to 24") N/C

BW123 23" Wide (Adjustable from 20" to 24") N/C

BW124 24" Wide (Adjustable from 20" to 24") N/C

BW222 22" Wide (Adjustable from 22" to 26") N/C

BW223 23" Wide (Adjustable from 22" to 26") N/C

BW224 24" Wide (Adjustable from 22" to 26") N/C

BW225 25" Wide (Adjustable from 22" to 26") N/C

BW226 26" Wide (Adjustable from 22" to 26") N/C

ADULT ULTRA RAIL SEAT DEPTH SETTINGS

SD117 17" Deep (Adjustable from 17" to 21") N/C

SD118 18" Deep (Adjustable from 17" to 21") N/C

SD119 19" Deep (Adjustable from 17" to 21") N/C

SD120 20" Deep (Adjustable from 17" to 21") N/C

SD121 21" Deep (Adjustable from 17" to 21") N/C

SD219 19" Deep (Adjustable from 19" to 23") N/C

SD220 20" Deep (Adjustable from 19" to 23") N/C

SD221 21" Deep (Adjustable from 19" to 23") N/C

SD222 22" Deep (Adjustable from 19" to 23") N/C

SD223 23" Deep (Adjustable from 19" to 23") N/C

MATRIX SEATING OPTIONS

Matrix Cushions available on page 10



AADL SEATING BENEFIT

CHEST STRAPS

AADL SEATING BENEFIT

MFUM BP Monoflex, Underarm RLS M(4" x 18.25") \$195

MFUL BP Monoflex, Underarm RLS L(4.5" x 21.5") \$195

MFCEM BP Monoflex, Center RLS M(3.25" x 18.25") \$195

MFCL BP Monoflex, Center RLS L(3.5" x 21.5") \$195

LAP BELTS

BELT60 Push Button Style Lap Belt, Length 60" N/C

BELT71 Push Button Style Lap Belt, Length 71" N/C

PLB2 Bodypoint Padded Lap Belt 2 Point⁽¹⁾ \$250

PLB4 Bodypoint Padded Lap Belt 4 Point⁽¹⁾ \$315

1. 67" length only option

MOTION CONCEPTS HEADREST OPTIONS

MCSH Motion Concepts Standard⁽¹⁾ N/C

MCOH Motion Concepts Auto Style⁽¹⁾ \$235

FM Fixed Mounting (non-removable)⁽²⁾ N/C

OHR Omit: Headrest N/C

1. Must select Fixed Mounting (FM) or Matrix Headrest Hardware on page 12.
2. Only compatible with Standard Rehab, Contour or High Back Models. All other upgradeable backs require removeable hardware.

MATRIX HEADRESTS OPTIONS

Matrix Elan Headrests and Hardware available on page 12



FINISHED BACK HEIGHT⁽¹⁾⁽²⁾ FOR TILT ONLY/ELEVATE ONLY

18" 19" 20" 21" 22" 23" 24" 25"
FBT18 FBT19 FBT20 FBT21 FBT22 FBT23 FBT24 FBT25

1. 4" Gap from the seat pan to the bottom of back pan is recommended.
2. Finished back height is measured from seat pan to top of backrest.

FINISHED BACK HEIGHT⁽¹⁾⁽²⁾ FOR RECLINE OR TILT/RECLINE

20" 21" 22" 23" 24" 25" 26" 27"
FBR20 FBR21 FBR22 FBR23 FBR24 FBR25 FBR26 FBR27

1. 6" Gap from the seat pan to the bottom of back pan is recommended.
2. Finished back height is measured from seat pan to top of backrest.

BACK CANES (NON RECLINE SYSTEMS)

- SBC18 18" Straight Back Canes STD
 - SBC20 20" Straight Back Canes STD
 - SBC22 22" Straight Back Canes STD
 - SBC24 24" Straight Back Canes STD
- Select Cane Angle 75° 79° 85° 90° 95° 101° 106° 112° 116°
BA75 BA79 BA85 BA90 BA95 BA101 BA106 BA112 BA116
- ABC20 20" Angled (5°) Back Canes N/C
 - ABC22 22" Angled (5°) Back Canes N/C
 - ABC24 24" Angled (5°) Back Canes N/C
- Select Cane Angle 81° 84° 91° 96° 101° 106° 111° 117° 121°
BA81 BA84 BA91 BA96 BA101 BA106 BA111 BA117 BA121
- EBC22 22" Endomorph Back Canes⁽¹⁾ \$350
 - EBC24 24" Endomorph Back Canes⁽¹⁾ \$350
 - EBCN1 1" Narrower N/C
 - EBCN2 2" Narrower N/C
 - EBCN4 4" Narrower N/C

1. Comes standard with Cantilever Armrest Cane Mounted.

CANE OPTIONS FOR RECLINE SYSTEMS

- BFS2 Recline Body Fit 2" Narrower⁽¹⁾ \$995
- BFS4 Recline Body Fit 4" Narrower⁽¹⁾ \$995
- AHH Adjustable Hooking Handles⁽²⁾ (pair) \$450
- RPHS Push Handles for Recline - Straight⁽³⁾ (pair) \$350
- RPHA Push Handles for Recline - Angled⁽³⁾ (pair) \$350

1. Minimum finished back widths of 16".
2. Handle measures 6.5" high and has .75" height adjustment with angle adjustment.
3. 4" of total vertical mounting adjustment.

BACK OPTIONS

- SRB Standard Rehab Back & Cushion N/C
- PIPF Flat Planar Interface Plate⁽¹⁾ N/C
- PIPR Recessed Planar Interface Plate⁽¹⁾⁽²⁾ N/C
- ORBC Omit Rigid Back & Cushion⁽³⁾ N/C

1. Not available on tilt only or tilt/elevate systems, for use with Recline Module.
2. Included with all Recline Systems when no back is selected. May also be used as an interface for after market backs.
3. Not available with Recline/ESR.

MATRIX BACKREST OPTIONS

AADL SEATING BENEFIT

- Matrix Backs available on page 11



ARMRESTS (NON RECLINE SYSTEMS)

- DP1 Adult Dual Post Adj. 9.75"-12.75" STD
 - DP2 Adult Dual Post Adj. 12.75"-15.75" STD
 - DP3 Adult Dual Post Adj. 15.75"-18.75" STD
- Select:
- FP Flat Pouch STD
 - GB Glove Boxes N/C
 - OAL ADD: OutBack Arm Option Left⁽¹⁾ each \$195
 - OAR ADD: OutBack Arm Option Right⁽¹⁾ each \$195
 - OCTA1 Outback Cantilever Tilt Armrest 9"-12"⁽³⁾ \$488
 - OCTA2 Outback Cantilever Titl Armrest 12"-15"⁽³⁾ \$488
 - RMCAN Ultra Rail Seat Mnt Flip Back Cantilever MAXX Tilt Arm (9-12.5")⁽²⁾ \$488
 - DPM ADD: Dual Post Module to RMCAN (pair) \$250
 - CAFEB Cantilver Arms for Endomorph Back Canes (pair) (see page 4) STD

1. Only available with Dual Post Armrests.
2. Mounts to Seat Rail. Slotted upper tube for infinite fore/aft adjustment of arm pad.
3. Not available with the Universal Cup Holder or Flip and Fold Lap Tray.

RECLINE ARMRESTS

- RC1 Reclining Adjustable Height. 9.5"-13" STD
 - RC2 Reclining Adjustable Height. 13"-16" STD
- ADD: OutBack Arm Option Left⁽¹⁾ each \$195
ADD: OutBack Arm Option Right⁽¹⁾ each \$195
- OAL
 - OAR
 - OCRA1 Outback Cantilver Recline Armrest 9"-12"⁽²⁾ \$488
 - OCRA2 Outback Cantilver Recline Armrest 12"-15"⁽²⁾ \$488
 - MCAN1 Maxx Style Cane Mounted Height, Width and Angle Adjustable Cantilever Flip Back Armrests for Recline Systems 9.5"-13"⁽²⁾ \$488
 - MCAN2 Maxx Style Cane Mounted Height, Width and Angle Adjustable Cantilever Flip Back Armrests for Recline Systems 12.5"-16"⁽²⁾ \$488
 - CANQ1 Cane Mounted Height & Angle Adjustable Cantilever Flip Back Armrest 9.5"-12"⁽³⁾ \$488
 - CANQ2 Cane Mounted Height & Angle Adjustable Cantilever Flip Back Armrest 10"-13"⁽³⁾ \$488
 - CANQ3 Cane Mounted Height & Angle Adjustable Cantilever Flip Back Armrest 13"-16"⁽³⁾ \$488

1. Only available with Reclining Armrests.
2. Not available with the Universal Cup Holder or Flip and Fold Lap Tray.
3. Mounts to Seat Rail. Slotted upper tube for infinite fore/aft adjustment of arm pad.

Dealer Name: _____

Dealer Account Number: _____

PO #: _____

Tag: _____

ARMREST TUBE LENGTH - PLEASE SPECIFY

- ATFL Left Full STD
- ATDL Left Desk STD
- ATFR Right Full STD
- ATDR Right Desk STD

ARMPADS

Standard

- SAPFL Left Full (2.25" x 14") STD
- SAPDL Left Desk (2.25" x 10") STD
- SAPFR Right Full (2.25" x 14") STD
- SAPDR Right Desk (2.25" x 10") STD

Waterfall Arm Pads⁽¹⁾

- WAPFL Left Full (13")N/C
- WAPDL Left Desk (9")N/C
- WAPFR Right Full (13")N/C
- WAPDR Right Desk (9")N/C

Modular Arm Pad - Left⁽²⁾

AADL SEATING BENEFIT

- MAPTFL Left Tray Full (14")\$95
- MAPTDL Left Tray Desk (10")\$95

Select Pad Insert below:

- ISSFL Iskin - Integrated soft skin foam
- SCVFL Startex Covered Visco foam

Modular Arm Pad - Right⁽²⁾

AADL SEATING BENEFIT

- MAPTRF Right Tray Full (14")\$95
- MAPTRD Right Tray Desk (10")\$95

Select Pad Insert below:

- ISSFR Iskin - Integrated soft skin foam
- SCVFR Startex Covered Visco foam

Flat Multi Position Arm Pads

CLIENT JUSTIFICATION

- MPAFL Left Full (14")\$150
- MPADL Left Desk (10")\$150
- MPAFR Right Full (14")\$150
- MPADR Right Desk (10")\$150

Gel Pads

AADL SEATING BENEFIT

- GAPNL Narrow Left (2" x 12")\$88
- GAPNR Narrow Right (2" x 12")\$88
- GAPWL Wide Left (3.5" x 12")\$96
- GAPWR Wide Right (3.5" x 12")\$96
- GAPLL Long Left (3.5" x 14")\$103
- GAPLR Long Right (3.5" x 14")\$103

Arm Troughs

AADL SEATING BENEFIT

- EATL Ergonomic Arm Trough - Left\$121
- EATR Ergonomic Arm Trough - Right\$121
- FHPL Flat Hand Pad - Left⁽³⁾\$91
- FHPR Flat Hand Pad - Right⁽³⁾\$91

Arm Pad Storage/Cup Holder⁽⁴⁾

CLIENT COST

- APSL Left\$295
- APSR Right\$295

ARMPADS - CONTINUED

- OMIT Omit Armpads(7/8" diameter tube)N/C

1. Full length pad not compatible with the desk length armrest tube if using Ultra Rail mounted Tilt Arms.
2. Requires interchangeable pad insert.
3. Must order with ergonomic arm trough.
4. Not available on the joystick side.

ADDITIONAL ARM ACCESSORIES

- UCH Universal Cup Holder⁽¹⁾\$35
- MACESL Multi Axis Upper Extremity Support⁽²⁾(each)
Left Side\$225
- MACESR Multi Axis Upper Extremity Support⁽²⁾ (each)
Right Side\$225
- OAS2L 1" Offset Armrest Spacer Left(each)\$125
- OAS2R 1" Offset Armrest Spacer Right(each)\$125
- OAS1L 1/2" Offset Armrest Spacer Left(each)\$125
- OAS1R 1/2" Offset Armrest Spacer Right(each)\$125
- MPAPA Multi Purpose Arm Pad
Adapter Block⁽³⁾ (each) Quantity ()\$35

1. Not available on the joystick side.
2. Allows rotation of the armpad, only compatible with Gel Arm pad, Flat Arm pad or Ergonomic Arm Troughs.
3. Not available with Standard Arm Pads or Waterfall Arm Pads.

ELBOW BLOCKS

- Elbow Blocks available on page 14

Dealer Name: _____

Dealer Account Number: _____

PO #: _____

Tag: _____

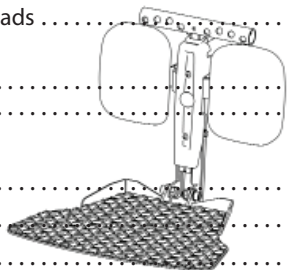
POWER CENTER MOUNT FOOT PLATFORM

MUST BE COMPLETED	Measurement in Inches
Knee to Heel:	
Cushion Thickness: (Subtract)	
Cushion Compression:(Add)	
Seat Pan to Footplate:(Total)	

- LNX Power Center Mount Foot Platform⁽¹⁾⁽²⁾ **CLIENT COST**
- LNX 13" - 19" Seat pan to footplate. \$3,200
With Quick Release Height Adjustment
 - IFP Comes with a rubber coated footplate
(11.5" W x 10") N/C
 - ICP Comes standard with individual calf pads. N/C
 - OPCP One Piece Malleable Calf Panel \$250

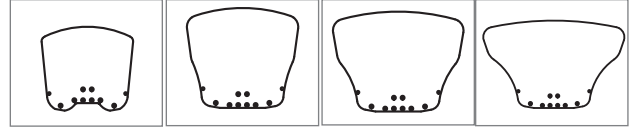
- 1. 3" ground clearance required.
- 2. Comes standard with moulded i-skin calf pads.

MANUAL CENTER MOUNT FRONT RIGGING

- MSFCMFP Maxx Style Fixed Center Mount
Foot Platform⁽¹⁾⁽²⁾ \$395
With Quick Release Height Adjustment
 - FBIFP Comes with a standard footplate with
(17" w x 13"d) N/C
 - ICP Individual calf pads \$200
- Select seat pan to footplate:
- SPTF1 9" - 13" N/C
 - SPTF14 13" -19" N/C
- Set at:
- SA70 Set at 70° N/C
 - SA90 Set at 90° N/C
 - SA97 Set at 97° N/C
- 

- 1. Depth adjustable, and easy slide adjustment for seat pan to foot plate extension.
- 2. 3" ground clearance required.

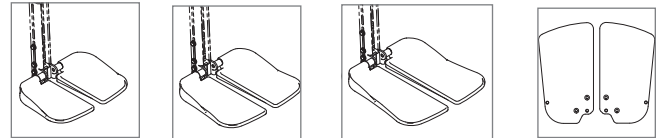
FOOT PLATFORM OPTIONS FOR FIXED/LNX CMFP



- MFFP Medium Platform⁽¹⁾ (12"w x 10.75"d) \$180
- LFFP Large Platform⁽¹⁾ (14.5"w x 13"d) \$250
- XLFFP Extra Large Platform⁽¹⁾ (17"w x 13"d) \$250
- XXLFFP Extra Extra Large Platform⁽¹⁾ (21"w x 13"d) \$250

- 1. May need to adjust leg position to avoid interference with front castors

INDIVIDUAL FOOT PLATES FOR FIXED/LNX CMFP



- IFSL Small⁽¹⁾ - (5" x 7.5" deep) - Left \$165
- IFSR Small⁽¹⁾ - (5" x 7.5" deep) - Right \$165
- IFML Medium⁽¹⁾ - (5.5" x 9.5" deep) - Left \$165
- IFMR Medium⁽¹⁾ - (5.5" x 9.5" deep) - Right \$165
- IFLL Large⁽¹⁾ - (6" x 11.5" deep) - Left \$165
- IFLR Large⁽¹⁾ - (6" x 11.5" deep) - Right \$165
- MFOL Multi-Axis Optional Footplate Left (6"W x 10"D) \$225
- MFOR Multi-Axis Optional Footplate Right (6"W x 10"D) \$225

- 1. Foot plates may interfere with casters in certain configurations

MAXX STYLE POWER ELEVATING LEGRESTS

CLIENT COST

MSPPL MAXX Swing Away Power Elevating⁽¹⁾⁽²⁾\$2490

Select Power Legrest Function:

INDA Individual Movement.....N/C
 COMA Combined Movement.....N/C
 SYNA Synchronized/Recline Movement.....N/C

Select Receivers:

RS Straight Receivers.....N/C
 RF Flared 1" Outward Receivers.....N/C

Select Seat Pan to Footplate:

SPTF5 Length: 10"-14".....N/C
 SPTF2 Length: 13"-17".....N/C
 SPTF7 Length: 16"-20".....N/C

FCPMS Flat Calf Pad Option (pair) \$275

CCPMS Curved Calf Pad Option (inside with 6") (pair) \$275

1. Must choose footplate on page 8
2. Comes standard with moulded i-skin calf pads.

SWING AWAY LEGREST

HD70 Heavy Duty 70° Swing Away Footrest(pair)⁽¹⁾⁽²⁾\$495

Select Receivers:

RS Straight Receivers.....N/C
 RF Flared 1" Outward Receivers.....N/C

Select Seat Pan to Footplate:

SPTF11 Length: 6"-10".....N/C
 SPTF8 Length: 11"-15".....N/C
 SPTF2 Length: 13"-17".....N/C
 SPTF7 Length: 16"-20".....N/C

HDFCP Flat Calf Pad Option (pair) \$275

HD70CCP Curved Calf Pad Option (inside with 6") (pair) \$275

DCS Dynamic Coil Springs (Pair) for Heavy Duty 70° Swingaway Footrests \$190

1. Must choose footplate on page 8
2. Heavy duty durable construction (4.5lbs ea.).

MAXX STYLE MANUAL ELEVATING LEGRESTS

MMPPSA MAXX Swing Away Manual Elevating⁽¹⁾⁽²⁾ \$680

Select Receivers:

RS Straight Receivers.....N/C
 RF Flared 1" Outward Receivers.....N/C

Select Seat Pan to Footplate:

SPTF5 Length: 10"-14".....N/C
 SPTF2 Length: 13"-17".....N/C
 SPTF7 Length: 16"-20".....N/C

FCPMS Flat Calf Pad Option (pair) \$275

CCPMS Curved Calf Pad Option (inside with 6") (pair) \$275

1. Must choose footplate on page 8
2. Comes standard with moulded i-skin calf pads

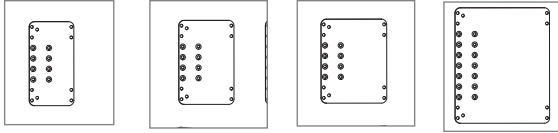
Dealer Name: _____

Dealer Account Number: _____

PO #: _____

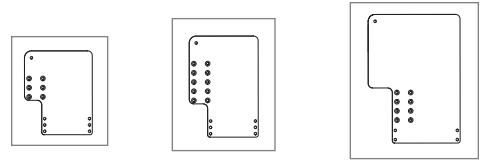
Tag: _____

FOOTPLATE FOR SWING AWAY/ELEVATING LEGS



1. Certain footplate sizes may not fit all seat widths depending on legrests selected.

FOOTPLATE/CUT OUTS SIZE SELECTION



1. Certain footplate sizes may not fit all seat widths depending on legrests selected

ADJUSTABLE ANGLE FOOTPLATES

PRIOR APPROVAL

<input type="checkbox"/> AFSL	Left Small Footplate (4.25"W x 8"D)	\$165
<input type="checkbox"/> AFSR	Right Small Footplate (4.25"W x 8"D)	\$165
<input type="checkbox"/> AFML	Left Medium Footplate (5.25"W x 8"D)	\$165
<input type="checkbox"/> AFMR	Right Medium Footplate (5.25"W x 8"D)	\$165
<input type="checkbox"/> AFLL	Left Large Footplate (6.25"W x 8"D)	\$165
<input type="checkbox"/> AFLR	Right Large Footplate (6.25"W x 8"D)	\$165
<input type="checkbox"/> AFXL	Left Extra Large Footplate (9"W x 11"D)	\$165
<input type="checkbox"/> AFXR	Right Extra Large Footplate (9"W x 11"D)	\$165

MULTI-AXIS ADJUSTABLE ANGLE FOOTPLATES

PRIOR APPROVAL

<input type="checkbox"/> MFSL	Left Small Footplate (4.25"W x 8"D)	\$225
<input type="checkbox"/> MFSR	Right Small Footplate (4.25"W x 8"D)	\$225
<input type="checkbox"/> MFML	Left Medium Footplate (5.25"W x 8"D)	\$225
<input type="checkbox"/> MFMR	Right Medium Footplate (5.25"W x 8"D)	\$225
<input type="checkbox"/> MFLL	Left Large Footplate (6.25"W x 8"D)	\$225
<input type="checkbox"/> MFRL	Right Large Footplate (6.25"W x 8"D)	\$225
<input type="checkbox"/> MFXL	Left Extra Large Footplate (9"W x 11"D)	\$225
<input type="checkbox"/> MFXR	Right Extra Large Footplate (9"W x 11"D)	\$225

HEEL LOOPS, CUPS AND TOE STRAPS

<input type="checkbox"/> HLL	Left Heel Loop (each)	\$20
<input type="checkbox"/> HLR	Right Heel Loop (each)	\$20
<input type="checkbox"/> HCL	Left Cup Loop (each)	\$20
<input type="checkbox"/> HCR	Right Cup Loop (each)	\$20
<input type="checkbox"/> TSL	Left Toe Strap (each)	\$20
<input type="checkbox"/> TSR	Right Toe Strap (each)	\$20

ADJUSTABLE ANGLE FOOTPLATES/CUT OUTS

PRIOR APPROVAL

<input type="checkbox"/> AFCSL	Left Small Footplate (7.25"W x 9"D)	\$165
<input type="checkbox"/> AFCSR	Right Small Footplate (7.25"W x 9"D)	\$165
<input type="checkbox"/> AFCML	Left Medium Footplate (7.5"W x 11"D)	\$165
<input type="checkbox"/> AFCMR	Right Medium Footplate (7.5"W x 11"D)	\$165
<input type="checkbox"/> AFCLL	Left Large Footplate (10"W x 14"D)	\$165
<input type="checkbox"/> AFCLR	Right Large Footplate (10"W x 14"D)	\$165

MULTI-AXIS ADJUSTABLE ANGLE FOOTPLATES/ CUT OUTS

PRIOR APPROVAL

<input type="checkbox"/> MFCSL	Left Small Footplate (7.25"W x 9"D)	\$225
<input type="checkbox"/> MFCSR	Right Small Footplate (7.25"W x 9"D)	\$225
<input type="checkbox"/> MFCML	Left Medium Footplate (7.5"W x 11"D)	\$225
<input type="checkbox"/> MFCMR	Right Medium Footplate (7.5"W x 11"D)	\$225
<input type="checkbox"/> MFCLL	Left Large Footplate (10"W x 14"D)	\$225
<input type="checkbox"/> MFCLR	Right Large Footplate (10"W x 14"D)	\$225

CALF STRAPS AND CALF PANELS

<input type="checkbox"/> CSL	Body Point Airmesh Calf Strap for Chairs 18"-22" wide with 3.5" H Pad ⁽¹⁾	\$200
<input type="checkbox"/> CPL	Body Point Airmesh Calf Panel for Chairs 18"-22" wide with 38.5" W x 9" H Pad ⁽¹⁾	\$315

THORACIC LATERALS AND HIP/KNEE SUPPORTS

- Matrx Laterals please see page 12
- Maxx Laterals and Hip/Knee supports please see page 13



Dealer Name: _____

Dealer Account Number: _____

PO #: _____

Tag: _____

ELECTRONIC SWITCH MOUNTING

- ESML Left Side (Armpad)
- ESMR Right Side (Armpad)
- ESMJ Joystick (Mounts to Joystick Bracket)
- ESMD Do not mount

SINGLE-DUAL FUNCTION ELECTRONICS

- SFCB Single/Dual Function Electronics⁽¹⁾..... STD

Select Switch: SPBO Single Push Button

STO Single Toggle

DPBO Dual Push Button

SOS Omit Switch

JOY Through Joystick

SC Through Specialty Control

Optional:

RDE Reduced Drive
for Elevating Seat⁽²⁾ CLIENT COST \$400

SPBSA Additional Single Push Button..... \$97

STA Additional Single Toggle Switch..... \$97

DPBA Additional Dual Push Button \$97

1. These electronics include drive lock-out and tilt limit.
2. If reduced drive is not selected the system will be in drive lock-out when elevated.

MULTI-FUNCTION ELECTRONICS

- MFCB Multi-Function through
Switch/Toggle⁽¹⁾ \$1,950

Select Switch:

QPBO Quad Push Button

FWTO Four-Way Toggle

EWRO 8-Way Rocker⁽²⁾

- MFCBD Multi-Function through
Drive Control⁽¹⁾..... \$1,950

Select Control:

JOY Through Joystick

SC Through Specialty Control

Optional:

RDY Include Reduced Drive for Elevating Seat⁽³⁾
 RDN Do not Induce Reduced Drive for Elevating
Seat⁽³⁾

QPBA Additional Quad Button..... \$97

FWTA Additional Four-Way Toggle Switch \$97

EWRA Additional 8-Way Rocker \$150

1. These electronics include seating attendant control, drive lock-out, tilt/recline limit and actuator speed control.
2. Dual function is not available with 8-Way Rocker.
3. If reduced drive is not selected system will be in drive lock-out when elevated.

ELECTRONICS OPTIONS

- M616S M616 Converter⁽¹⁾..... \$125
- FTSQ Feather Touch Switch Single Function
Quarter Size \$295
- FTMD Feather Touch Switch Multi-Function
Dual Dime Size \$295
- FTMQ Feather Touch Switch Multi-Function
Quad Dime Size \$295
- ASL320R ASL Pulse Mechanical Switch Red \$125
- ASL320G ASL Pulse Mechanical Switch Green \$125
- ASL320BK ASL Pulse Mechanical Switch Black \$125
- SESG Stealth Egg Switch - Single Function Green..... \$135
- SESB Stealth Egg Switch - Single Function Black \$135
- PSOS Power Shut Off Switch - Toggle⁽¹⁾ \$175
- LJS Lazarus Jump Starter⁽¹⁾ \$150
- APPS Accessory Port Power Supply⁽¹⁾
(3 amp capacity) \$195
- TSPSMH 12 Piece Switch Mounting Hardware
Kit (additional kits)..... \$39

1. Not available with Single-Dual Function Electronics.

VENT TRAYS, O2 HOLDERS, ACCESSORIES

- For O2 Holders and Additional Accessories
Please see page 14

INSTALLATION

- MCI Motion Concepts Installation..... Included

PLEASE SPECIFY PAGES INCLUDED WITH ORDER

- Pages 1-9 Excludes Matrx and Maxx Seating Accessories
Thoraic Supports, Hip Supports, Vent Trays and
Accessories
- Pages 1-14 Complete Order Form

Total Retail Value \$ _____

SUBMIT

PRINT FORM

SAVE

CLEAR FORM



AADL SEATING BENEFIT

CUSHION COVER REFERENCE GUIDE

Meshtex	Startex	Infection Control			
Spacetex	Onyx				
Cushion	Meshtex	Startex	Infection	Spacetex	Onyx
Libra/Adjust	N/A	STD	\$50	N/C	N/A
PS/PSP	N/A	STD-Reversible	STD-Reversible	N/A	N/A
Vi	STD	\$103	\$103	N/A	\$103

MATRIX SEAT CUSHION OPTIONS

Matrix Libra Adjust Seat Cushion - 20" wide \$985
 LC2016-ADJ LC2018-ADJ LC2020-ADJ

Matrix Libra Adjust Seat Cushion 22" depth \$1,265
 LC2022-ADJ

Matrix Libra Adjust Seat Cushion 21" - 24" wide \$1,265

- LC2118-ADJ LC2120-ADJ LC2122-ADJ
- LC2218-ADJ LC2220-ADJ LC2222-ADJ
- LC2318-ADJ LC2320-ADJ LC2322-ADJ
- LC2418-ADJ LC2420-ADJ LC2422-ADJ

Matrix Libra Seat Cushion - 20" wide \$745
 LC2016 LC2018 LC2020

Matrix Libra Seat Cushion 22" depth \$1,025
 LC2022

Matrix Libra Seat Cushion 21" - 24" wide \$1,025

- LC2118 LC2120 LC2122 LC2218 LC2220
- LC2320 LC2322 LC2418 LC2420
- LC2422

Matrix PS Seat Cushion 20" wide \$569
 PS2016 PS2018 PS2020

Matrix PS HD Seat Cushion 22" - 26" wide \$975

- PS2218 PS2220 PS2222 PS2418 PS2420
- PS2422 PS2618 PS2620 PS2622

MATRIX SEAT CUSHION OPTIONS CONTINUED

Matrix PSP Seat Cushion - 20" wide \$645
 PSP2016 PSP2018 PSP2020

Matrix PSP HD Seat Cushion 22" - 22" wide \$995
 PSP2218 PSP2220 PSP2222 PSP2418
 PSP2420 PSP2422 PSP2618 PSP2620
 PSP2622

Matrix Vi Seat Cushion 20" - 22" wide \$681
 MA2016-VI MA2018-VI MA2020-VI MA2218-VI
 MA2220-VI

Matrix Vi HD Seat Cushion up to 26" wide \$840
 (For cushions 21" width and depth up to 26")
 Specify size: _____

Matrix Multi Cushion 14" - 20" wide/reversible cover
 HCPCS code E2607 \$445
 MM2016 MM2018 MM2020

FABRIC OPTIONS FOR CUSHIONS

- SFLF Spacetex Fabric Option for
Libra Cushion N/C
- ICFL Infection Control Fabric Upgrade for
Libra Cushion \$50
- OCUMA Onyx Fabric Upgrade for
Matrix Vi Cushion \$103
- SFVS Smooth side Startex Fabric Upgrade for
Matrix Vi Cushion \$103
- SFVF Fabric side Startex Fabric Upgrade for
Matrix Vi Cushion \$103



AADL SEATING BENEFIT

BACK COVER REFERENCE GUIDE

Back	Meshtex	Infection	Onyx
High	STD	N/A	\$103
Elite/ Elite HD/Elite Deep	STD	\$103	N/A
Elite TR/ Elite TR HD	STD	\$103	N/A
PB/PB HD/PB Deep/PB HD Deep	STD	\$103	N/A

UPGRADABLE BACK OPTIONS

High Back 20" - 24" wide\$595

- | | | | |
|---------------------------------|---------------------------------|---------------------------------|---------------------------------|
| <input type="checkbox"/> HB2016 | <input type="checkbox"/> HB2018 | <input type="checkbox"/> HB2020 | <input type="checkbox"/> HB2116 |
| <input type="checkbox"/> HB2118 | <input type="checkbox"/> HB2120 | <input type="checkbox"/> HB2216 | <input type="checkbox"/> HB2218 |
| <input type="checkbox"/> HB2220 | <input type="checkbox"/> HB2316 | <input type="checkbox"/> HB2318 | <input type="checkbox"/> HB2320 |
| <input type="checkbox"/> HB2416 | <input type="checkbox"/> HB2418 | <input type="checkbox"/> HB2420 | |

Matrix Elite Back 20" wide (3" Contour)\$766

- | | | | |
|----------------------------------|----------------------------------|----------------------------------|----------------------------------|
| <input type="checkbox"/> PBE2014 | <input type="checkbox"/> PBE2016 | <input type="checkbox"/> PBE2018 | <input type="checkbox"/> PBE2020 |
|----------------------------------|----------------------------------|----------------------------------|----------------------------------|

Matrix Elite HD Back 21" - 24" wide (3" Contour)..... \$1,095

- | | | | |
|-------------------------------------|-------------------------------------|-------------------------------------|-------------------------------------|
| <input type="checkbox"/> PBE2116-HD | <input type="checkbox"/> PBE2118-HD | <input type="checkbox"/> PBE2120-HD | <input type="checkbox"/> PBE2216-HD |
| <input type="checkbox"/> PBE2218-HD | <input type="checkbox"/> PBE2220-HD | <input type="checkbox"/> PBE2316-HD | <input type="checkbox"/> PBE2318-HD |
| <input type="checkbox"/> PBE2320-HD | <input type="checkbox"/> PBE2416-HD | <input type="checkbox"/> PBE2418-HD | <input type="checkbox"/> PBE2420-HD |

Matrix Elite HD Back 26" wide (3" Contour)..... \$1,666

- | | |
|-------------------------------------|-------------------------------------|
| <input type="checkbox"/> PBE2616-HD | <input type="checkbox"/> PBE2620-HD |
|-------------------------------------|-------------------------------------|

Matrix Elite Deep Back 20" wide (6" Contour)\$918

- | | | | |
|----------------------------------|----------------------------------|----------------------------------|----------------------------------|
| <input type="checkbox"/> EDB2014 | <input type="checkbox"/> EDB2016 | <input type="checkbox"/> EDB2018 | <input type="checkbox"/> EDB2020 |
|----------------------------------|----------------------------------|----------------------------------|----------------------------------|

Matrix Elite Deep HD Back 21" - 24" wide (6" Contour)..... \$1,095

- | | | | |
|-------------------------------------|-------------------------------------|-------------------------------------|---------------------------------------|
| <input type="checkbox"/> EDB2116-HD | <input type="checkbox"/> EDB2118-HD | <input type="checkbox"/> EDB2120-HD | <input type="checkbox"/> EDB2216-HD |
| <input type="checkbox"/> EDB2218-HD | <input type="checkbox"/> EDB2220-HD | <input type="checkbox"/> EDB2316-HD | <input type="checkbox"/> EDB2318-HD |
| <input type="checkbox"/> EDB2320-HD | <input type="checkbox"/> EDB2416-HD | <input type="checkbox"/> EDB2418-HD | <input type="checkbox"/> EDB2420-HD.. |

Matrix Elite TR Back 20" wide (3" Contour)\$866

- | | | |
|-------------------------------------|-------------------------------------|-------------------------------------|
| <input type="checkbox"/> PBE2016-TR | <input type="checkbox"/> PBE2018-TR | <input type="checkbox"/> PBE2020-TR |
|-------------------------------------|-------------------------------------|-------------------------------------|

Matrix Elite TR HD Back 21" - 24" wide (3" Contour)..... \$1,151

- | | | |
|---------------------------------------|---------------------------------------|---------------------------------------|
| <input type="checkbox"/> PBE2120-TRHD | <input type="checkbox"/> PBE2220-TRHD | <input type="checkbox"/> PBE2320-TRHD |
| <input type="checkbox"/> PBE2420-TRHD | | |

Dealer Name: _____

Dealer Account Number: _____

PO #: _____

Tag: _____

UPGRADABLE BACK OPTIONS

Matrix PB Posture Back - 20" wide (5" Contour) \$734

- | | | |
|----------------------------------|----------------------------------|----------------------------------|
| <input type="checkbox"/> MPB2012 | <input type="checkbox"/> MPB2016 | <input type="checkbox"/> MPB2020 |
|----------------------------------|----------------------------------|----------------------------------|

Matrix PB Posture Back Deep - 20" wide (7" Contour)..... \$892

- | | | |
|----------------------------------|----------------------------------|----------------------------------|
| <input type="checkbox"/> PBD2012 | <input type="checkbox"/> PBD2016 | <input type="checkbox"/> PBD2020 |
|----------------------------------|----------------------------------|----------------------------------|

Matrix PB Heavy Duty Back 20" - 24" wide (5" Contour)..... \$1,051

- | | | | |
|----------------------------------|----------------------------------|----------------------------------|----------------------------------|
| <input type="checkbox"/> HDB2016 | <input type="checkbox"/> HDB2020 | <input type="checkbox"/> HDB2216 | <input type="checkbox"/> HDB2220 |
| <input type="checkbox"/> HDB2416 | <input type="checkbox"/> HDB2420 | | |

Matrix PB Heavy Duty Deep Back 20"-22" wide (5" Contour)..... \$1,209

- | | | | |
|-----------------------------------|-----------------------------------|-----------------------------------|-----------------------------------|
| <input type="checkbox"/> DHDB2016 | <input type="checkbox"/> DHDB2020 | <input type="checkbox"/> DHDB2216 | <input type="checkbox"/> DHDB2220 |
| <input type="checkbox"/> DHDB2416 | <input type="checkbox"/> DHDB2420 | | |

OTHER UPGRADABLE BACK OPTIONS

- | | |
|--------------------------------|--|
| <input type="checkbox"/> EBSS | Super Soft Foam for Elite Back Upgrade..... \$103 |
| <input type="checkbox"/> OCUHB | Onyx Fabric Upgrade for High Backs..... \$103 |
| <input type="checkbox"/> WSCU | Infection Control Cover for Elite/PB Backs..... \$103
purchased with back |
| <input type="checkbox"/> WSC | Infection Control Cover for Elite/PB Backs..... \$150
purchased with without back |
| <input type="checkbox"/> CHIEB | Chest Harness Interface Kit for Elite Back ⁽¹⁾⁽²⁾ \$103 |
| <input type="checkbox"/> CHIEB | Chest Harness Interface Kit for PB Back ⁽¹⁾⁽²⁾ \$52 |

1. Does not include the chest strap.
2. This Interface Kit is only Required for 4 point harness



Dealer Name: _____

Dealer Account Number: _____

PO #: _____

Tag: _____

MATRIX ELAN HEADREST PAD⁽¹⁾⁽²⁾

<input type="checkbox"/> ESP6	Matrx Elan Standard Pad 6"	\$310
<input type="checkbox"/> ESP10	Matrx Elan Standard Pad 10"	\$310
<input type="checkbox"/> ESP14	Matrx Elan Standard Pad 14"	\$310
<input type="checkbox"/> EOP9	Matrx Elan Occipital Pad 9"	\$341
<input type="checkbox"/> EOP12	Matrx Elan Occipital Pad 12"	\$341
<input type="checkbox"/> E4PTSM	Matrx Elan 4-Point Pad 9"W x 7"H.....	\$448
<input type="checkbox"/> E4POINT	Matrx Elan 4-Point Pad 11"W x 10"H	\$448
<input type="checkbox"/> ESP6-IC	Matrx Elan Standard Pad 6" with Infection Control	\$335
<input type="checkbox"/> ESP10-IC	Matrx Elan Standard Pad 10" with Infection Control	\$335
<input type="checkbox"/> ESP14-IC	Matrx Elan Standard Pad 14" with Infection InfectionControl	\$335
<input type="checkbox"/> EOP9-IC	Matrx Elan Occipital Pad 9" with Infection Infection Control	\$366
<input type="checkbox"/> EOP12-IC	Matrx Elan Occipital Pad 12"with Infection Control	\$366
<input type="checkbox"/> E4PTSM-IC	Matrx Elan 4-Point Pad 9"W x 7"H with Infection Control	\$473
<input type="checkbox"/> E4POINT-IC	Matrx Elan 4-Point Pad 11"W x 10"H with Infection Control	\$473

- 1. Not compatible with sling back (ASBA-2)
- 2. If mounting on PB Elite must order removable hardware

HEADREST MOUNTING HARDWARE OPTIONS

<input type="checkbox"/> MEHWRE	Elan Multi-Axis Removable HDW	\$285
---------------------------------	-------------------------------------	-------

- 1. Only compatible w/Standard Rehab, Contour & High Back Models. All other head rests REQUIRE an upgrade to Removable Hardware.

MATRIX FIXED LATERALS - FOR ELITE AND ELITE TR BACKS

AADL SEATING BENEFIT

<input type="checkbox"/> PBSSL	Matrx Small Lateral Fixed-Left(3x5.5")	\$113
<input type="checkbox"/> PBSSR	Matrx Small Lateral Fixed-Right(3x5.5")	\$113
<input type="checkbox"/> PBLSL	Matrx Standard Lateral Fixed-Left(7.5x5")	\$116
<input type="checkbox"/> PBLSR	Matrx Standard Lateral Fixed-Right (7.5x5")	\$116
<input type="checkbox"/> PBOLL	Matrx Offset Lateral Fixed Left	\$125
<input type="checkbox"/> PBOLR	Matrx Offset Lateral Fixed Right	\$125

MATRIX SWING AWAY LATERALS - FORELITEANDELITETRBACKS

AADL SEATING BENEFIT

Matrx Lateral Trunk Support Left ⁽¹⁾		
<input type="checkbox"/> EPADXL	Size XS (3.25x4.25").....	\$115
<input type="checkbox"/> EPADSL	Size S (3.5x5.25")	\$115
<input type="checkbox"/> EPADML	Size M (3.75x5.75")	\$115
<input type="checkbox"/> EPADL L	Size L (4.25x6.5")	\$115
Matrx Lateral Trunk Support Right ⁽¹⁾		
<input type="checkbox"/> EPADXR	Size XS (3.25x4.25").....	\$115
<input type="checkbox"/> EPADSR	Size S (3.5x5.25")	\$115
<input type="checkbox"/> EPADMR	Size M (3.75x5.75")	\$115
<input type="checkbox"/> EPADLR	Size L (4.25x6.5")	\$115

- 1. Must choose swing away hardware below

MATRIX SWING AWAY HARDWARE - FORELITEANDELITETRBACKS

AADL SEATING BENEFIT

<input type="checkbox"/> SAEHBL	Matrx Elite Swing Away Hardware Left	\$250
<input type="checkbox"/> SAHEBR	Matrx Elite Swing Away Hardware Right	\$250
<input type="checkbox"/> OSAHL	Matrx Offset Elite Swing Away Hardware Left	\$250
<input type="checkbox"/> OSAHR	Matrx Offset Elite Swing Away HardwareRight	\$250

MAXX LATERALS TRUNK SUPPORTS⁽¹⁾

AADL SEATING BENEFIT

Left Fixed Mount Lateral Trunk Support⁽¹⁾

Select Left Trunk Support Size

- LATXL Size XS (3.25" x 4.25") \$100
- LATSL Size S (3.5" x 5.25") \$100
- LATML Size M (3.75" x 5.75") \$100
- LATLL Size L (4.25" x 6.5") \$100

Right Fixed Mount Lateral Trunk Support⁽¹⁾

Select Right Trunk Support Size

- LATXR Size XS (3.25" x 4.25") \$100
- LATSR Size S (3.5" x 5.25") \$100
- LATMR Size M (3.75" x 5.75") \$100
- LATLR Size L (4.25" x 6.5") \$100

1. These laterals are not available with Matrix PB, PB Elite Deep and PB Deep Backs.

MAXX STYLE SWING-AWAY TRUNK SUPPORT HARDWARE⁽¹⁾

AADL SEATING BENEFIT

Left MAXX Style Swing Away HDW \$195

Select Left Trunk Support Size

- LATXL Size XS (3.25" x 4.25") \$100
- LATSL Size S (3.5" x 5.25") \$100
- LATML Size M (3.75" x 5.75") \$100
- LATLL Size L (4.25" x 6.5") \$100

Right MAXX Style Swing Away HDW⁽¹⁾ \$195

Select Right Trunk Support Size

- LATXR Size XS (3.25" x 4.25") \$100
- LATSR Size S (3.5" x 5.25") \$100
- LATMR Size M (3.75" x 5.75") \$100
- LATLR Size L (4.25" x 6.5") \$100

ATLL Additional Telescoping Link - Left⁽²⁾ \$75

ATLR Additional Telescoping Link - Right⁽²⁾ \$75

1. These laterals are not available with Matrix PB, PB Elite Deep and PB Deep Backs
2. Up to 2.75" medial offset

FIXED HIP/KNEE SUPPORTS

AADL SEATING BENEFIT

Lateral Hip Support with Fixed Mounting Hardware Left⁽¹⁾

Select Pad Size and mounting position at Hip:

- HSPXLH Size XS (5.5" W x 4" H) mounted at Hip \$120
- HSPSMLH Size S/M (7"W x 4"H) mounted at Hip \$120
- HSPSLH Size S (7"W x 6"H) mounted at Hip \$120
- HSPMLH Size M (9" W x 4"H) mounted at Hip \$120
- HSPLLH Size L (13" W x 4"H) mounted at Hip \$120

Select Pad Size and mounting position at Knee:

- HSPXLK Size XS (5.5"W x 4" H) mounted at Knee \$120
- HSPSMLK Size S/M (7"W x 4" H) mounted at Knee \$120
- HSPSLK Size S (7"W x 6" H) mounted at Knee \$120
- HSPMLK Size M (9"W x 4"H) mounted at Knee \$120
- HSPLLK Size L (13"W x 4"H) mounted at Knee \$120

FIXED HIP/KNEE SUPPORTS- CONTINUED

AADL SEATING BENEFIT

Lateral Hip Support with Fixed Mounting Hardware Right⁽¹⁾

Select Pad Size and mounting position:

- HSPXRH Size XS (5.5"W x 4"H) mounted at Hip \$120
- HSPSMRH Size S/M (7"W x 4"H) mounted at Hip \$120
- HSPSRH Size S (7"W x 6"H) mounted at Hip \$120
- HSPMRH Size M (9"W x 4"H) mounted at Hip \$120
- HSPLRH Size L (13"W x 4"H) mounted at Hip \$120

Select Pad Size and mounting position at Knee:

- HSPXRK Size XS(5.5"W x 4"H) mounted at Knee \$120
- HSPSMRK Size S/M (7"W x 4"H) mounted at Knee \$120
- HSPSRK Size S (7"W x 6"H) mounted at Knee \$120
- HSPMRK Size M (9"W x 4"H) mounted at Knee \$120
- HSPLRK Size L (13"W x 4"H) mounted at Knee \$120

1. Must choose swing away hardware below if required.

REMOVABLE HIP/KNEE SUPPORT HARDWARE

AADL SEATING BENEFIT

Lift Off Removable Hardware for Hip Support

- LOHL Left \$195
- LOHR Right \$195

MAXX Style Quick Release, Removable, Multi-Axis Mounting Hardware for Hip Supports

Select mounting position:

- MHSHLH Left mounted at Hip \$215
- MHSHLK Left mounted at Knee \$215
- MHSHRH Right mounted at Hip \$215
- MHSHRK Right mounted at Knee \$215

Swing Away Removable Hardware for Hip Supports

Select mounting position:

- SHSHLH Left mounted at Hip \$215
- SHSHLK Left mounted at Knee \$215
- SHSHRH Right mounted at Hip \$215
- SHSHRK Right mounted at Knee \$215

Extended Maxx Style Quick Release, Removable, Multi-Axis Mounting Hardware for Hip Supports⁽¹⁾

Select mounting position:

- EMQHLH Left mounted at Hip \$215
- EMQHLK Left mounted at Knee \$215
- EMQHRH Right mounted at Hip \$215
- EMQHRK Right mounted at Knee \$215

1. Recommended when finished seat cushion thickness will be greater than 3.5" high.

Dealer Name: _____

Dealer Account Number: _____

PO #: _____

Tag: _____

ELBOW BLOCKS

AADL SEATING BENEFIT

Left Elbow Block⁽¹⁾

Select Pad Size and Both Extensions:

- EBXL Size XS (3.25" x 4.25") \$195
 EBSL Size S (3.5" x 5.25") \$195
 EBML Size M (3.75" x 5.75") \$195
 EBLL Size L (4.25" x 6.5") \$195

- V3 Left Verticle Extension 3"
 V5 Left Verticle Extension 5"
 H5 Left Horizontal Extension 5"
 H7 Left Horizontal Extension 7"

Right Elbow Block⁽¹⁾

Select Pad Size and Both Extensions:

- EBXL Size XS (3.25" x 4.25") \$195
 EBSL Size S (3.5" x 5.25") \$195
 EBML Size M (3.75" x 5.75") \$195
 EBLL Size L (4.25" x 6.5") \$195

- V3 Right Verticle Extension 3"
 V5 Right Verticle Extension 5"
 H5 Right Horizontal Extension 5"
 H7 Right Horizontal Extension 7"

1. Prevents arm from slipping.

ADDITIONAL ARM ACCESSORIES

- UCH Universal Cup Holder⁽¹⁾ CLIENT COST \$35
 MACESL Multi Axis Upper Extremity Support⁽²⁾(each)
Left Side \$225
 MACESR Multi Axis Upper Extremity Support⁽²⁾(each)
Right Side \$225
 OAS2L 1" Offset Armrest Spacer Left(each) \$125
 OAS2R 1" Offset Armrest Spacer Right(each) \$125
 OAS1L 1/2" Offset Armrest Spacer Left(each) \$125
 OAS1R 1/2" Offset Armrest Spacer Right(each) \$125
 MPAPA Multi Purpose Arm Pad
Adapter Block⁽³⁾(each) Quantity () \$35

1. Not available on the joystick side.
 2. Allows rotation of the armpad, only compatible with Gel Arm pad, Flat Arm pad or Ergonomic Arm Troughs.
 3. Not available with Standard Arm Pads or Waterfall Arm Pads.

ARM ADDUCTOR PAD⁽¹⁾

- AADSL Left Small (6" x 2.25") \$135
 AADSR Right Small (6" x 2.25") \$135
 AADLL Left Large (8.5" x 2.25") \$135
 AADLR Right Large (8.5" x 2.25") \$135

1. Only available with Modular or Flat Multi Position Arm Pads.

O2 HOLDERS⁽¹⁾

- NAO2H Non-Articulating O² Gas Holder \$395
 AOHG Articulating O² Gas Holder
Cylinder Style⁽²⁾⁽³⁾ \$1,250
 AOHL Articulating Liquid O² Holder
(6.5" x 4.5")⁽²⁾⁽³⁾ \$1,250

1. The user weight limit is 325 lbs. The maximum weight capacity of the O2 holder is 20 lbs.
 2. Required for use on Recline Systems
 3. Articulating O2 Holders are not standard configuration on Elevating or Precline Systems.

ADDITIONAL OPTIONS & ACCESSORIES

CLIENT COST

- THS Transfer Handles 4" - 6.5" \$350
 THL Transfer Handles 9" - 11.5" \$350
 FFLTL Flip and Fold Away 1/2 Lap Tray
Left Mounting(14"W x 10"D)⁽¹⁾⁽²⁾ \$795
 FFLTR Flip and Fold Away 1/2 Lap Tray
Right Mounting(14"W x 10"D)⁽¹⁾⁽²⁾ \$795

1. Not available on joystick side and only available with a flat arm pad or modular arm pad.
 2. The maximum weight capacity of the tray is 10 lbs.

SUBMIT

PRINT FORM

SAVE

CLEAR FORM