



Phone (800) 981-1540 | Fax (715) 254-0996  
 sales@kimobility.com | www.kimobility.com



**ROGUE<sup>2</sup>**

W394

MEDmobility

5711- 104 St, Edmonton AB. T6H 2K1  
 P: 780-437-3300 • Fax: 780-430-9381  
 AADL Vendor: 0000612578-001  
 www.medmobility.ca • www.mmrehab.ca

Ship To: \_\_\_\_\_  
 Address: \_\_\_\_\_  
 City: \_\_\_\_\_ Province: \_\_\_\_\_  
 Postal Code: \_\_\_\_\_ Phone: \_\_\_\_\_  
 Email/Fax: \_\_\_\_\_  
 Effective: 10/1/2024

Rogue2 \_\_\_\_\_ \$3895  
 Rogue Standard Frame 275 lb Weight Capacity

Discount is 8%

**Frame**

**Seat Width**

See reference A on page 7

12"	N/C
13"	N/C
14"	N/C
15"	N/C
16"	N/C
17"	N/C
18"	N/C
19"	N/C
20"	\$295

**Seat Depth**

See reference B on page 7

14"	N/C
15"	N/C
16"	N/C
17"	N/C
18"	N/C
19"	N/C
20"	\$295

**Transit Option**

Transit System (WC-19 Occupied) (A1)	\$399
<i>Cannot be retrofitted. Requires Expanded Width Caster Position.</i>	
Omit	N/C

**Adjustable Depth**

Adds the capability to grow seat in depth

No Rear Adjustment	N/C
1/2"	N/C
1"	\$75
2"	\$165

**Sling Position**

In Performance Position (0"), sling is at front of frame. The 1" or 2" sling position extends the frame in front of the sling by that amount. See reference C on page 7.

0" (Performance)	N/C
1"	N/C
2" (Classic)	N/C

**Seat Option**

Standard Seat Sling	N/C
Aluminum Solid Seat Pan	\$265

**Front Frame Bend**

Angle between front seat tube and ground. See reference D on page 7.

90°	N/C
85°	N/C
80°	N/C
75°	N/C
70°	N/C

A1 = Client's Responsibility  
 A2 = Clinical Justification

## Backrest

Back Post / Height Range / Back Height							
Back Post	Price	Height Range	Back Height				
Height Adjustable	N/C	Height Adjustable Short Back Post	11" <sup>2</sup>	12"	13"	14"	
		Height Adjustable Medium Back Post	13"	14"	15"	16"	17"
		Height Adjustable Tall Back Post	17"	18"	19"	20"	
Fixed Height <sup>1</sup>	\$95	Fixed Height Straight Back Post	9" <sup>2</sup>	10" <sup>2</sup>	11" <sup>2</sup>	12"	13"
			14"	15"	16"	17"	18"

<sup>1</sup> Not available with back upholstery  
<sup>2</sup> Not available with Fold Down Push Handle

Seat Back Angle							
Standard is 90° (perpendicular to floor). Minus (-°) closes back angle. Plus (+°) opens back angle.							
Standard	+3°	+6°	+9°	-3°	-6°	-9°	-12° _____ N/C

Back Upholstery Options	
Available only with Height Adjustable Back Posts. If selecting both upholstery and Axiom Back, the upholstery will be installed.	
Padded Velcro Adjustable with Standard Cover	N/C
Padded Velcro Adjustable with Air Mesh Breathable Cover	\$75
Tension Adjustable with Standard Cover	\$175
Tension Adjustable with Air Mesh Breathable Cover	\$450
Omit	-\$10

Push Handles	
Omit Push Handle	N/C
Standard Push Handle	N/C
Low Profile Push Handle (A1)	\$55
<i>2" shorter than standard push handles</i>	
Bolt-On Push Handle (A1)	\$170
<i>Handles will be 1" - 2" above back height</i>	
Fold Down Push Handle (A1)	\$145

Stroller Handle	
<i>Stroller Handles are removable and height adjustable</i>	
Single Stroller Handle	\$206
Double Stroller Handle (A1)	\$395
<i>Not available with Push Handles</i>	

Rigidizer Bar	
Adjustable Height Rigidizer Bar (A1)	\$115
Non-Adjustable Height Rigidizer Bar	N/C
<i>Not Available with Fixed Height Back Post</i>	

## Front Seat Height and Casters

Caster Size / Footrest Taper / Front Seat Height	
--	--

Select Front Seat Height and Footrest Taper in row corresponding to Caster Size. 6" casters not available with 85° and 90° Front Frame Bend.  
 Footrest Taper indicates bend of front frame creating footrest width. Taper is measured from outside of seat frame to outside of front tube. 2" Taper not available with 75° Front Frame Bend. Taper is not available with 70° Front Frame Bend. See reference E on page 7.  
 Front Seat Height is measured from floor to top of seat tube at front of seat sling. Adjustable up or down by 1/2". See reference F on page 7.

Footrest Taper	Price	Caster Size	Front Seat Height														
			3"	13.5"	14"	14.5"	15"	15.5"	16"	16.5"	17"	17.5"	18"	18.5"	19"	19.5"	20"
Straight	N/C	3"	13.5"	14"	14.5"	15"	15.5"	16"	16.5"	17"	17.5"	18"	18.5"	19"	19.5"	20"	20.5"
		4"	14"	14.5"	15"	15.5"	16"	16.5"	17"	17.5"	18"	18.5"	19"	19.5"	20"	20.5"	
		5"	14.5"	15"	15.5"	16"	16.5"	17"	17.5"	18"	18.5"	19"	19.5"	20"	20.5"		
		6"	15"	15.5"	16"	16.5"	17"	17.5"	18"	18.5"	19"	19.5"	20"	20.5"			
1"	N/C	3"	16.5"	17"	17.5"	18"	18.5"	19"	19.5"	20"	20.5"						
		4"	17"	17.5"	18"	18.5"	19"	19.5"	20"	20.5"							
		5"	17.5"	18"	18.5"	19"	19.5"	20"	20.5"								
		6"	18"	18.5"	19"	19.5"	20"	20.5"									
2"	N/C	3"	16.5"	17"	17.5"	18"	18.5"	19"	19.5"	20"	20.5"						
		4"	17"	17.5"	18"	18.5"	19"	19.5"	20"	20.5"							
		5"	17.5"	18"	18.5"	19"	19.5"	20"	20.5"								
		6"	18"	18.5"	19"	19.5"	20"	20.5"									
3.5° V-Front	N/C	3"	13.5"	14"	14.5"	15"	15.5"	16"	16.5"	17"	17.5"	18"	18.5"	19"	19.5"	20"	20.5"
		4"	14"	14.5"	15"	15.5"	16"	16.5"	17"	17.5"	18"	18.5"	19"	19.5"	20"	20.5"	
		5"	14.5"	15"	15.5"	16"	16.5"	17"	17.5"	18"	18.5"	19"	19.5"	20"	20.5"		
		6"	15"	15.5"	16"	16.5"	17"	17.5"	18"	18.5"	19"	19.5"	20"	20.5"			
7° V-Front	N/C	3"	13.5"	14"	14.5"	15"	15.5"	16"	16.5"	17"	17.5"	18"	18.5"	19"	19.5"	20"	20.5"
		4"	14"	14.5"	15"	15.5"	16"	16.5"	17"	17.5"	18"	18.5"	19"	19.5"	20"	20.5"	
		5"	14.5"	15"	15.5"	16"	16.5"	17"	17.5"	18"	18.5"	19"	19.5"	20"	20.5"		
		6"	15"	15.5"	16"	16.5"	17"	17.5"	18"	18.5"	19"	19.5"	20"	20.5"			

A1 = Client's Responsibility A2 = Clinical Justification



Phone (800) 981-1540 | Fax (715) 254-0996  
sales@kimobility.com | www.kimobility.com



### Casters

Caster Type		Caster Size				
		Price	3"	4"	5"	6"
	.75" Rollerblade	N/C				
	.75" Lighted Rollerblade	\$88				
	1" Poly	N/C				
	1" Poly Aluminum (A1)	\$120				
	1" Pneumatic	\$80				
	1.5" Poly	\$85				
	1.5" Soft Roll Aluminum (A1)	\$150				

### Caster Position

See reference L on page 7

Optimized	N/C
Caster Placement minimizes the footprint of the chair	
Expanded Width	N/C
Caster arm is positioned approximately .75" wider than Optimized position	

### Fork Options

Standard Fork	N/C
Single Sided Fork (A1)	\$156
Frog Legs II Suspension System (A1)	\$425
Lightweight shock absorbing fork. Not included in Colored Anodizing Package.	

## Footrest

### Footplate

Tubular "Open" Footplate	N/C
Not available with V-Taper	
Tubular Footplate with ABS Cover	\$38
Not available w/footrest widths greater than 15.5". See Reference G on page 7.	
Not available with V-Taper.	
Aluminum Angle Adjustable	N/C
Aluminum Angle Adjustable with Riser	\$190
High Mount Aluminum Angle Adjustable	\$190
Not available with V-Taper	
Angle Adjustable Flip Under (A1)	\$230
Not available with footrest widths less than 9.5". Not available with V-Taper.	
See Reference G on page 7.	
High Mount Angle Adjustable Flip Under (A1)	\$295
Not available w/footrest widths greater than 15.5". See Reference G on page 7.	
Not available with V-Taper.	
Hybrid Angle Adjustable	\$100
Hybrid Angle Adjustable with Wings	\$125

### Footrest Protector

Footrest Protector	N/C
Not available with Angle Adjustable Flip Under, High Mount Angle Adjustable Flip Under or High Mount Aluminum Angle Adjustable Footplates	

### Seat to Footrest Length

Measured from front edge of seat sling to top, rear of footrest. Footrest length at least 2.5" shorter than Front Seat Height recommended. See reference H on page 7.

8"	8.5"	9"	9.5"	10"	10.5"
11"	11.5"	12"	12.5"	13"	13.5"
14"	14.5"	15"	15.5"	16"	16.5"
17"	17.5"	18"	18.5"	19"	19.5"

## Rear Seat Height and Wheels

### Wheel Size / Rear Seat Height

Select Rear Seat Height in row corresponding to desired Wheel Size. For proper setup, selection is required when omitting rear wheels. Measured from floor to top of seat tube at front of back post. Rear Seat Height is custom to needs. See reference I on page 7.

Wheel Size	Rear Seat Height															
20"	12.5" <sup>1</sup>	13"	13.5"	14"	14.5"	15"	15.5"	16"	16.5"	17"	17.5"	18"	18.5"	19"	19.5"	20"
22"	13.5" <sup>1</sup>	14"	14.5"	15"	15.5"	16"	16.5"	17"	17.5"	18"	18.5"	19"	19.5"	20"		
24"	14.5" <sup>1</sup>	15"	15.5"	16"	16.5"	17"	17.5"	18"	18.5"	19"	19.5"	20"				
25"	15" <sup>1</sup>	15.5"	16"	16.5"	17"	17.5"	18"	18.5"	19"	19.5"	20"					
26"	15.5" <sup>1</sup>	16"	16.5"	17"	17.5"	18"	18.5"	19"	19.5"	20"						

<sup>1</sup> Available only with Low Profile tires

### One Arm Drive

One Arm Drive - Quick Release	\$1825
Available only with 20", 22" and 24" spoke wheels and quick release axles.	
Spoke wheel style provided is exclusive to OAD. Standard handrim will be Aluminum Anodized. Limitations exist based on rear wheel spacing, camber and armrest selections.	
Left Side Drive	N/C
Right Side Drive	N/C
Aluminum Drive Handrim	N/C
Poly Coated Drive Handrim	\$200

### Wheels

No selection needed with One Arm Drive

Rear Wheel Type	Price	Rear Wheel Size				
		20"	22"	24"	25"	26"
MAXX Spoke	N/C					
Mag	N/C					
Mag (Color) (A1) <sup>2</sup>	\$140					
Superlight Spoke (A1)	\$395				<sup>1</sup>	
Spinergy Spox (A1)	\$820					
Spinergy LX (A1)	\$1025					

<sup>1</sup> Available only with Superlight and Plastic Coated Handrims

<sup>2</sup> Color selection on page 6

A1 = Client's Responsibility

A2 = Clinical Justification



Phone (800) 981-1540 | Fax (715) 254-0996  
 sales@kimobility.com | www.kimobility.com



### Spinerig Options

Select spoke color and handrim tab for Spinerig wheels

Black Spokes   Red Spokes   Blue Spokes   White Spokes \_\_\_\_\_ N/C

### Rear Tire Type

#### Full Profile

Street Pneumatic 1 3/8" <i>Not available on 25" wheel size</i>	N/C
Full Poly 1 3/8" <i>Not available on Superlight wheel or 25" or 26" wheel sizes</i>	N/C
Pneumatic with Airless Insert 1 3/8" (A1) <i>Not available on Superlight wheel or 25" wheel size</i>	\$250
Schwalbe HS-127 1 3/8" (A1) <i>Available only on 24" wheel size. Not available on Mag wheel</i>	\$119
Mountain 2" Black (A1) <i>Available only on 22", 24" and 25" MAXX wheels and Spinerig wheels</i>	\$119

#### Low Profile

Low Poly 1" <i>Not available on Superlight wheel, 25" or 26" wheel sizes</i>	\$50
Sentinel Solid Tire 1" (A1) <i>Not available on Superlight wheel</i>	\$120
High Pressure 1" (A1) <i>Not available on Mag wheel</i>	N/C
Schwalbe One 1" (A1) <i>Available only on 24" and 25" wheel sizes. Not available on Mag wheel</i>	\$135
Schwalbe Marathon Plus Evolution 1" (A1) <i>Not available on Mag wheel, 20" or 22" wheel sizes</i>	\$145

### Handrims

No selection needed with One Arm Drive

#### Standard Handrims

Aluminum Anodized	N/C
Superlight Aluminum Anodized (A1) <i>Available only on 24" and 25" wheel sizes. Available only on MAXX Spokes, Superlight or Spinerig wheels.</i>	\$75
Plastic Coated	\$119
Projection (8 Vertical Projections) (A2) <i>Available only with full profile tires in combination with 22", 24", and 26" MAXX Spoke wheels, or 22" and 24" Mag wheels</i>	\$299
Omit Handrim	N/C

#### Ergonomic Handrims

*Not available with 20" or 26" wheels. Tab mount only available with 24" wheels.*

Ergo Lite Regular Grip (A1)	\$445
Ergo Standard Regular Grip (A1)	\$445
Ergo Lite Extra Grip (A1)	\$495
Ergo Standard Extra Grip (A1)	\$495
Ergo Lite Omit Grip (A1)	\$375
Ergo Standard Omit Grip (A1)	\$375

### Handrim Options

#### Handrim Mount

If no selection is made, Standard Mount will be used

Close Mount \_\_\_\_\_ N/C

#### Micro-Grip

3M Micro Grip \_\_\_\_\_ \$81  
*Not available on Plastic Coated or Projection Handrims*

### Axles

Quick Release \_\_\_\_\_ N/C  
 Quad Quick Release (A2) \_\_\_\_\_ \$219  
*Not available with Mag or Spinerig wheels*

### Center of Gravity Presets

Measured from front of back post to center of rear axle. 0" indicates axle will be directly under back post. See reference J on page 7.

Amputee Positions				
-1.5"	-1"	-.5"	0"	.25"
Standard Positions				
.5"	.75"	1"	1.25"	1.5"
1.75"	2"	2.25"	2.5"	2.75"
3"	3.25"	3.5"	3.75"	4"
4.25"	4.5"	4.75"	5"	

### Rear Wheel Spacing

1" minimum with 0° camber. 1.5" minimum with T-Arms. The following apply if One Arm Drive is selected: 1.75" minimum with T-Arms. 1.25" minimum with select Rear Seat Heights. See Reference K on page 7.

0.75"   1"   1.25"   1.5"   1.75" \_\_\_\_\_ N/C

### Rear Wheel Camber

The following apply if One Arm Drive is selected: 6° and 8° not available. 4° not available with T-Arms.

0°   2°   4°   6°   8° \_\_\_\_\_ N/C

A1 = Client's Responsibility  
 A2 = Clinical Justification



Phone (800) 981-1540 | Fax (715) 254-0996  
 sales@kimobility.com | www.kimobility.com



## Wheel Locks

Wheel Lock	Wheel Lock Options
Push to Lock	Extension Handles \$70 <i>Available only with Push to Lock or Pull to Lock Wheel Locks</i>
Push to Lock Flush Mount	Grade Aids (A2) \$187 <i>Available only with Push to Lock Wheel Locks and Pneumatic or Pneumatic with Airless Insert tires</i>
Pull to Lock	
Under Seat Scissor Lock	
Low Profile Scissor Lock	
<i>Not available with Low Poly, Full Poly or Sentinel Solid tires</i>	
Omit	

## Armrests

Armrests	
Height Adjustable T-Arm Desk (8.5" - 13.5")	\$285
Height Adjustable T-Arm Full (8.5" - 13.5")	\$285
Height Adjustable T-Arm Low Desk (6.5" - 10.5")	\$285
<i>If requested configuration is unavailable, standard height T-Arm will be used. 14" minimum seat depth with Offset Frame.</i>	
Height Adjustable T-Arm Low Full (6.5" - 10.5")	\$285
<i>If requested configuration is unavailable, standard height T-Arm will be used. 14" minimum seat depth with Offset Frame.</i>	
Swing Away (8.5" - 12.5")	\$100
Omit	N/C

## Side Guards

Direct Mount Side Guards	Clamp-On Mount Side Guards
<i>Not available with T-Arms or Swing Away with Side Guard Armrests</i>	
Composite Side Guards - Direct Mount Receiver	Composite Side Guards - Clamp-On Receiver (A1)
Aluminum Straight - Direct Mount Receiver - Black Matte (A1)	Aluminum Straight - Clamp On Receiver - Black Matte (A1)
Aluminum Straight - Direct Mount Receiver - Match Frame Color (A1)	Aluminum Straight - Clamp-On Receiver - Match Frame Color (A1)
<i>Not available with Hydrographics</i>	
Aluminum Adjustable Fender w/Foam Pad - Direct Mount Receiver - Black Matte (A1)	Aluminum Adjustable Fender w/Foam Pad - Clamp-On Receiver - Black Matte (A1)
<i>Not available with Adjustable Depth greater than 1/2"</i>	
Aluminum Adjustable Fender w/Foam Pad - Direct Mount Receiver - Match Frame Color (A1)	Aluminum Adjustable Fender w/Foam Pad - Clamp-On Receiver - Match Frame Color (A1)
<i>Not available with Hydrographics</i>	
Carbon Fiber Adjustable Fender - Direct Mount Receiver (A1)	Carbon Fiber Adjustable Fender - Clamp-On Receiver (A1)
<i>Not available with Adjustable Depth greater than 1/2"</i>	

A1 = Client's Responsibility  
 A2 = Clinical Justification



Phone (800) 981-1540 | Fax (715) 254-0996  
 sales@kimobility.com | www.kimobility.com



## Accessories

### Anti-Tips

Rear Anti-Tips	\$118
User Activated - Pair (A1)	\$460
User Activated - Left (A1)	\$230
User Activated - Right (A1)	\$230
Omit	N/C

### Calf Strap

Velcro Adjustable	N/C
Padded Velcro Adjustable	\$85
Bodypoint Padded AeroMesh	\$123

### Pelvic Positioning Belt

1 1/2" Auto Buckle Pelvic Positioning Belt	\$22
1 1/2" Padded Auto Buckle Pelvic Positioning Belt	\$170
Small Bodypoint Evoflex (16-24")	\$219
Medium Bodypoint Evoflex (19-29")	\$219
Large Bodypoint Evoflex (25-37")	\$219

### Other Accessories

Tool Kit (A1)	\$60
Removable Underseat Pouch (A1)	\$75
Ki Mobility Backpack (A1)	\$90
Luggage Carrier (A1)	\$120
Black Neoprene Impact Guards (A1)	\$85
Under Chair Carrier and Removable Bag (A1)	\$85
<i>Not available with Seat Widths less than 14" or scissor locks</i>	
Cane and Crutch Holder (A1)	\$110

### Belt Mounting Kit

Ki Mobility Belt Mounting Clamp	\$50
Bodypoint Belt Mounting Bracket Kit	\$126

## Color

### Frame Color

Black	N/C
Iridescent Navy	N/C
Blue Steel	N/C

A1 = Client's Responsibility  
 A2 = Clinical Justification

## References

### A. Seat Width *See Diagram 1*

Measured from outside of frame tube on one side to outside of frame tube on other side.

### B. Seat Depth *See Diagram 3*

Measured from front of back posts to front edge of seat sling. Seat sling starts at beginning of bend at front of frame.

### C. Sling Position *See Diagram 2*

In Performance Position (0°), sling is at front of frame to keep chair shorter and more maneuverable. The 1" or 2" seat sling position extends the frame in front of the sling by that amount. Adding more frame can improve stability and provide support to aid in transfers.

### D. Front Frame Bend *See Diagram 3*

Angle between front seat tube and ground.

### E. Footrest Taper *See Diagram 1*

Indicates bend of front frame creating footrest. Taper is measured from outside of seat frame to outside of front tube.

### F. Front Seat Height *See Diagram 1*

Measured from floor to top of seat tube at front of seat sling.

### G. Footrest Width *See Diagram 1*

Measured from inside of front tube to inside of front tube on other side. Footrest width is listed below for each seat width and taper.

Seat Width	Straight	1" Y Taper	2" Y Taper	3.5° V Taper	7° V Taper
Outside Measurement	2" Narrower than Seat Width	4" Narrower than Seat Width	6" Narrower than Seat Width	4" Narrower than Seat Width	6" Narrower than Seat Width
12"	9.5"	7.5"		7.5"	
13"	10.5"	8.5"		8.5"	
14"	11.5"	9.5"		9.5"	
15"	12.5"	10.5"		10.5"	
16"	13.5"	11.5"	9.5"	11.5"	9.5"
17"	14.5"	12.5"	10.5"	12.5"	10.5"
18"	15.5"	13.5"	11.5"	13.5"	11.5"
19"	16.5"	14.5"	12.5"	14.5"	12.5"
20"	17.5"	15.5"	13.5"	15.5"	13.5"

### H. Seat to Footrest Length *See Diagram 3*

Measured from front edge of seat sling to top rear of footrest. Footrest length of at least 2.5" shorter than front seat height recommended.

### I. Rear Seat Height *See Diagram 3*

Measured from floor to top of seat tube at front of back post. Rear seat height is custom to needs.

### J. Center of Gravity Preset *See Diagram 3*

Measured from front of back post to center of rear axle. 0" indicates axle will be directly under back post.

### K. Rear Wheel Spacing *See Diagram 1*

Measured from outside of seat back to inside of rear tire. Adjustable out .5" from setting.

### L. Caster Position *See Diagram 4*

The Optimized Position keeps the casters tighter to the frame for enhanced maneuverability. Expanded Position pushes the casters out .75" past the Optimized Position for increased stability.

Diagram 1

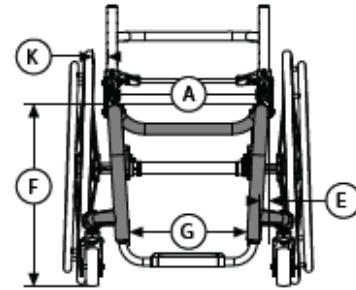


Diagram 2

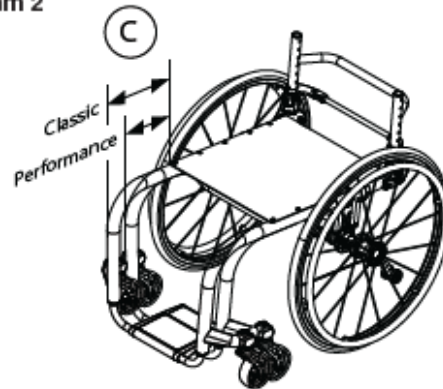


Diagram 3

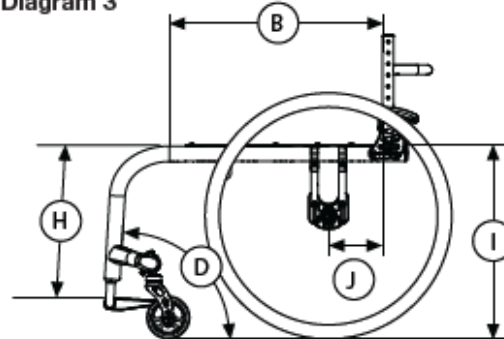
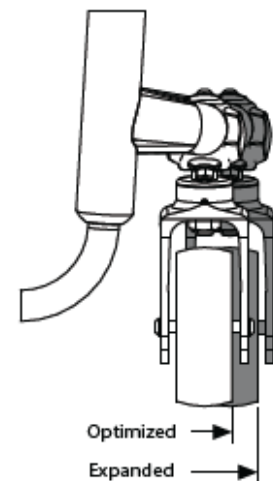


Diagram 4





Phone (800) 981-1540 | Fax (715) 254-0996  
 sales@kimobility.com | www.kimobility.com



## Axiom SP Visco - Skin Protection & Positioning Cushion

Weight capacity: 350 lbs

		Width								
		14"	15"	16"	17"	18"	19"	20"	21"	22"
Retail		\$625	\$625	\$625	\$625	\$625	\$625	\$625	\$780	\$780
Depth	14"	XSP1414V	XSP1514V	XSP1614V						
	15"	XSP1415V	XSP1515V	XSP1615V	XSP1715V	XSP1815V				
	16"	XSP1416V	XSP1516V	XSP1616V	XSP1716V	XSP1816V	XSP1916V	XSP2016V		XSP2216V
	17"	XSP1417V	XSP1517V	XSP1617V	XSP1717V	XSP1817V	XSP1917V	XSP2017V		XSP2217V
	18"	XSP1418V	XSP1518V	XSP1618V	XSP1718V	XSP1818V	XSP1918V	XSP2018V	XSP2118V	XSP2218V
	19"	XSP1419V	XSP1519V	XSP1619V	XSP1719V	XSP1819V	XSP1919V	XSP2019V	XSP2119V	XSP2219V
	20"	XSP1420V	XSP1520V	XSP1620V	XSP1720V	XSP1820V	XSP1920V	XSP2020V	XSP2120V	XSP2220V
	21"		XSP1521V	XSP1621V	XSP1721V	XSP1821V	XSP1921V	XSP2021V	XSP2121V	XSP2221V
22"		XSP1522V	XSP1622V	XSP1722V	XSP1822V	XSP1922V	XSP2022V	XSP2122V	XSP2222V	

## Axiom SP Visco Extra Covers

Extra Outer Cover \_\_\_\_\_ \$150

Extra Inner Cover \_\_\_\_\_ \$150

## Star Standard Air Cushions

### Star Standard Air Cushion (4" Tall Cells)

		Width									
		13.5"		15.5"		17.25"		19.25"		21"	
		Cushion w/ Std	Extra Incontinent Cover	Cushion w/ Std	Extra Incontinent Cover	Cushion w/ Std	Extra Incontinent Cover	Cushion w/ Std	Extra Incontinent Cover	Cushion w/ Std	Extra Incontinent Cover
Retail		\$780	\$135	\$780	\$135	\$780	\$135	\$780	\$135	\$780	\$135
Depth	13.5"										
	15.5"										
	17.25"										
	19.25"										
	21"										

## Star Stabil-Air Cushions

### Star Stabil-Air Cushion (4" Tall Cells)

		Width									
		13.5"		15.5"		17.25"		19.25"		21"	
		Cushion w/ Covers	Extra Incontinent Cover	Cushion w/ Covers	Extra Incontinent Cover	Cushion w/ Covers	Extra Incontinent Cover	Cushion w/ Covers	Extra Incontinent Cover	Cushion w/ Covers	Extra Incontinent Cover
Retail		\$825	\$135	\$825	\$135	\$825	\$135	\$825	\$135	\$825	\$135
Depth	13.5"										
	15.5"										
	17.25"										
	19.25"										
	21"										

### Stabil-Air Extra Standard Covers

4 Inch Extra Standard Cover \_\_\_\_\_ \$120





Phone (800) 981-1540 | Fax (715) 254-0996  
 sales@kimobility.com | www.kimobility.com

# AADL

## Axiom Backs

### Axiom Posterior Lateral Back (PL)

		Retail	Width		
			16"	18"	20"
			\$690	\$690	\$690
Height	Mid	14"	AXPL1614	AXPL1814	AXPL2014
		16"	AXPL1616	AXPL1816	AXPL2016
		18"	AXPL1618	AXPL1818	AXPL2018
	Tall	20"	AXPL1620	AXPL1820	AXPL2020
		22"	AXPL1622	AXPL1822	AXPL2022

### Back Hardware

*FXT Hardware is not available with Lateral Support Options*

DEX Hardware    BTX Hardware    FXT Hardware \_\_\_\_\_ N/C

### Axiom Deep Lateral Back (DL)

*Does not include Lumbar Pad*

		Retail	Width		
			16"	18"	20"
			\$790	\$790	\$790
Height	Mid	14"	AXDL1614	AXDL1814	AXDL2014
		16"	AXDL1616	AXDL1816	AXDL2016
		18"	AXDL1618	AXDL1818	AXDL2018
	Tall	20"	AXDL1620	AXDL1820	AXDL2020
		22"	AXDL1622	AXDL1822	AXDL2022

### Back Hardware

DEX Hardware    BTX Hardware    FXT Hardware \_\_\_\_\_ N/C

### Headrest

		Hardware		
		Multi Axis Removable Hardware with Horizontal Bar		
		HEDHDW201 / HEDHDW217		
Headrest Pad	Description	Item Code	Kio Code	Retail
	Comfort Plus Headrest 8"	CS08MA	CS08MA	\$514.29
	Comfort Plus Headrest 10"	CS10MA	CS10MA	\$514.29
	Comfort Plus Headrest 14"	CS14MA	CS14MA	\$514.29

*Not required for Axiom Headrests*



Phone (800) 981-1540 | Fax (715) 254-0996  
sales@kimobility.com | www.kimobility.com

# AADL

## Axiom Back Modifications

*Extended lead times will apply for all modifications. Makes back non-refundable.*

### Gloss Finish

*If no selection is made, standard Shadow Black will be used with no additional lead time*

Opalescent Violet	N/C
Radiant Orange	N/C
Electric Green	N/C
Glacier Blue	N/C
Dark Pink	N/C
Light Pink	N/C
Rich Teal	N/C
Purple Plum	N/C
Black	N/C
Candy Blue	N/C
Candy Purple	N/C
Candy Red	N/C
Granny Smith	N/C
Metallic Orange	N/C
Yellow	N/C

### Matte Finish

*If no selection is made, standard Shadow Black will be used with no additional lead time*

Bright Red	N/C
White	N/C
Dry Earth Tan	N/C
Tactical Green	N/C
Charcoal Gray	N/C
Iridescent Burgundy	N/C
Iridescent Navy	N/C
Royal Blue	N/C

### Metallic Finish

*If no selection is made, standard Shadow Black will be used with no additional lead time*

Blue Steel	N/C
------------	-----