

**TiLite X Canadian AADL Order Form**  
Folding Frame – W333

Effective October 2024 (New items in red)

Page 1 of 8

PROVIDER INFORMATION		RTS INFORMATION	
Dealer:	Account #:	RTS:	Phone:
PO:	Ordered By:	Email:	
Email:		<b>SHIP TO INFORMATION</b>	
Mark For:	User Weight:	Name:	
TiLite Sales Rep:		Address:	
<b>TiLite Information:</b>	Promo Code:	City:	
Ship Date:	Order #:	Phone:	

**MEDmobility**

5711- 104 St, Edmonton AB. T6H 2K1  
P: 780-437-3300 • Fax: 780-430-9381  
AADL Vendor: 0000612578-001  
www.medmobility.ca • www.mmrehab.ca

**Discount is 5%**

Please contact the Permobil Manual Customer Service Team at [chairs.tilite@permobil.com](mailto:chairs.tilite@permobil.com) - Phone: 800.736.0925 or Fax: 866.586.2413

**FRAME STYLE**

- Standard Aluminum Frame (Full Adjustability, 300 Pound (136 Kg) Weight Limit) ..... \$2,177
- Heavy Duty Aluminum Frame (350 Pound (158 Kg) Weight Limit. Available with 18" to 22" Seat Widths and 16" to 20" Seat Depths)  
Requires Aluminum Casters – Provided as NCO) ..... \$775 Prior Approval

**SMARTDRIVE POWER ASSIST SYSTEM**



(Client cost)

- Permobil Smart Drive MX2+\* (N/A with rear seat heights less than 13.5") ..... \$7,989
- SpeedControl Dial     Extended Mount    **OR**     SwitchControl Buttons ..... NCO  
\*SpeedControl Dial mounting may be limited based on chair and wheel lock configuration. Please refer to table on page 8 for more information.
- SwitchControl Button with Mono Jack Option ..... \$208
  - Buddy Button ..... \$368
- Carrying Bag ..... \$110
- Universal Padded Handle ..... \$31  
\*SmartDrive apps available on Apple App Store and Google Play Store for Apple Watch Series 5 or newer and Samsung Galaxy Watch 4 or newer.

**TRANSIT OPTIONS** (Client cost)

- Transit Tie-Down (Consists of four Tie-Down Brackets. N/A with HD Frame, Fixed Height Non-Removable Armrest or Swing Away Tubular Armrest.  
(Please refer to the user manual for important information regarding the Transit Tie-Down Option) ..... \$375
- Transport Bracket Option (Consists of four Tie-Down Brackets. Unoccupied Use Only. N/A with HD Frame, Fixed Height Non-Removable  
Armrest or Swing Away Tubular Armrest) ..... \$395

**FRAME FINISHES**

- Blue Mist     Black Galaxy ..... STD

**FRAME MEASUREMENTS** (Please see information on page 8 regarding frame measurements)

For odd size seat depths, frame depth will be 1" longer than seat sling.

		Seat Width A								
		14	15	16	17	18	19	20	21	22
Seat Depth B	14	<input type="checkbox"/>	<input type="checkbox"/>	<input type="checkbox"/>	<input type="checkbox"/>	<input type="checkbox"/>	<input type="checkbox"/>			
	15	<input type="checkbox"/>	<input type="checkbox"/>	<input type="checkbox"/>	<input type="checkbox"/>	<input type="checkbox"/>	<input type="checkbox"/>			
	16	<input type="checkbox"/>	<input type="checkbox"/>	<input type="checkbox"/>	<input type="checkbox"/>	<input type="checkbox"/>	<input type="checkbox"/>	<input type="checkbox"/>		
	17	<input type="checkbox"/>	<input type="checkbox"/>	<input type="checkbox"/>	<input type="checkbox"/>	<input type="checkbox"/>	<input type="checkbox"/>	<input type="checkbox"/>		
	18	<input type="checkbox"/>	<input type="checkbox"/>	<input type="checkbox"/>	<input type="checkbox"/>	<input type="checkbox"/>	<input type="checkbox"/>	<input type="checkbox"/>	<input type="checkbox"/>	<input type="checkbox"/>
	19		<input type="checkbox"/>	<input type="checkbox"/>	<input type="checkbox"/>	<input type="checkbox"/>	<input type="checkbox"/>	<input type="checkbox"/>	<input type="checkbox"/>	<input type="checkbox"/>
	20			<input type="checkbox"/>	<input type="checkbox"/>	<input type="checkbox"/>	<input type="checkbox"/>	<input type="checkbox"/>	<input type="checkbox"/>	<input type="checkbox"/>

- Note: Configurations including Seat Widths 19"-22" ..... \$284 W111
- Configurations including 19" Seat Depth ..... \$214 W111

**FRONT SEAT HEIGHT RANGES**

Front Wheel Size	Front Seat Heights C
3" Front Wheel	13.5" -18"
4" Front Wheel	14.5" – 18.5"
5" Front Wheel	15.5" - 19"
6" Front Wheel	16.5" – 19.5"
8" Front Wheel	18.5" – 20.5"

**FRONT SEAT HEIGHT c** Measure from floor to top of seat tube at front edge of seat sling.

- 13.5"  14"  14.5"  15"  15.5"  16"  16.5"  17"  17.5"  18"  18.5"  19"  19.5"  20"  20.5" .....STD

**REAR SEAT HEIGHT RANGES**

Rear Wheel Size	Rear Seat Heights D
22" (501)	13" – 18.5"
24" (540)	14" – 19.5"
25" (559)	14.5" – 20"
26" (590)	15" – 20"

**REAR SEAT HEIGHT d** Measure from floor to top of seat tube at back post.

- 13"  13.5"  14"  14.5"  15"  15.5"  16"  16.5"  17"  17.5"  18"  18.5"  19"  19.5"  20" .....STD

**CENTER OF GRAVITY e** Measure from front of back post at the seat tube to the center of the rear axle.

- 1"  1.5"  2"  2.5"  3"  3.5"  4" .....STD

Amputee Axle Plate (Center of Gravity positioned 1" behind back canes. N/A with User Friendly Anti-tips. Limitations will apply) .....\$156 A2

**FRONT HANGERS**

Composite Footrest with Std Fork					
	3"	4"	5"	6"	8"
85°	•	•	•	•	•
80°	•	•	•	•	•
70°	•	•	•	•	•

Composite Footrest with Glide Fork					
	3"	4"	5"	6"	8"
85°	•	•	•*	•*	•
80°	•	•	•	•	•
70°	•	•	•	•	•

\*Seat to Footrest must be at least 4" less than Front Seat Height

Composite Footrest with Glide Fork					
	3"	4"	5"	6"	8"
85°	•	•	•	•	•
80°	•	•	•	•	•
70°	•	•	•	•	•

Depth Adj Footrest with Glide Fork					
	3"	4"	5"	6"	8"
85°	•	•	•	•	•
80°	•	•	•	•	•
70°	•	•	•	•	•

- 70°  80°  85° .....STD

- Omit Hangers.....NCO

**SEAT TO FOOTREST f** Measure from front edge of seat sling to top rear of footrest. Measurement must be at least 2" shorter than Front Seat Height c.

**Footrest Type**

- Composite Flip-up Footrest.....STD

- 10.5"- 14" (High Mount Hanger) Set at .....\$170

- 14"- 18.5" (Standard Hanger) Set at .....NCO

- Depth and Angle Adjustable Footrest (7"-8.5" will receive 3" extension tube – 9"-10" will receive 5" extension tube) .....\$234 W107

- 7"- 10" (Clamp-on High Mount) Set at .....\$170 W107

- 10.5"- 14" (High Mount Hanger) Set at .....\$170 W107

- 13.5"- 18.5" (Standard Hanger) Set at .....NCO W107

- Extra-long footplate (9" long).....\$159 W107

**Elevating Leg Rest**

Elevating Leg Rest, Single (When choosing a left or right ELR, please select the opposite hanger above. N/A with 14" Seat Width A)

- Install on  Left OR  Right.....\$210 W106

- Elevating Leg Rest, Pair (N/A with 14" Seat Width A) .....\$358 W106

Seat to Footrest/ Elevating Leg Rests f Measure from front edge of seat sling to top rear of ELR footrest.

- 14"  15"  16"  17"  18"  19"  20"  21"

**INTEGRATED RESIDUAL LIMB SUPPORT** Mounts in place of front hangers.

- Residual Limb Support.....\$378

- 8" x 10" pad OR  8" x 14" pad Install on  L OR  R

- Residual Limb Support Pair.....\$756
- 8" x 10" pad OR  8" x 14" pad.

**FOOTREST ACCESSORIES**

- Safe Tread Non-Skid Adhesive Patch.....\$17
- Heel Loops.....\$47

**CALF STRAPS**

- Velcro Adjustable.....\$50
  - Large (Recommended for 14"- 17" seat widths.)
  - Extra Large (Recommended for 16"- 22" seat widths.)
- Bodypoint® Padded Velcro Adjustable (Basic seating).....\$115
  - Medium (Recommended for 16"- 20" seat widths.)
  - Large (Recommended for 20"- 22" seat widths.)
- Buckle Adjustable
  - Black Nylon Webbing (Basic seating).....\$54

**SEAT BACK CONFIGURATIONS**

**SEAT BACK TYPE**

- Fixed Angle, Adjustable Height Seat Back.....STD
- Fixed Angle, Adjustable Height Seat Back w/ 8° Bend.....NCO
- Folding Adjustable-Angle and Height Seat Back (N/A with HD).....\$230
- Folding Stabilizer Bar.....\$457 A1

**PUSH HANDLES**

- None.....NCO
- Integrated Push Handles.....NCO
- Integrated Fold-Down Push Handles (N/A with HD).....\$135 A1
- Bolt-on height adjustable Push Handles (N/A with HD).....\$442 A1

**SEAT BACK HEIGHT** G Measure from top of seat tube at rear of frame to top of backrest upholstery.

**Fixed Angle, Adjustable Height Seat Back**

Push Handles	Short	Tall	Set at: (Use 1" increments)
None	<input type="checkbox"/> 12.5"- 15.5"	<input type="checkbox"/> 16.5"- 20.5"	Set at: _____
Integrated	<input type="checkbox"/> 12"- 15"	<input type="checkbox"/> 16"- 20"	Set at: _____
Fold-Down	<input type="checkbox"/> 12"- 15"	<input type="checkbox"/> 16"- 20"	Set at: _____
Bolt-on Height Adj.	<input type="checkbox"/> 12.5"- 15.5"	<input type="checkbox"/> 16.5"- 20.5"	Set at: _____

**Folding Angle, Adjustable Height Seat Back**

Push Handles	Short	Medium	Tall	Set at: (Use .5" increments.)
None	12.5"- 14.5"	15"- 17"	17.5"- 20"	Set at: _____
Integrated	14"- 15.5"	16"- 17"	17.5"- 20"	Set at: _____
Fold-Down	14.5"-15.5"	16"- 17.5"	18"- 20.5"	Set at: _____

**BACK UPHOLSTERY (Basic seating)**

- Standard Back Upholstery (Tension Adjustable. Includes Privacy Flap).....STD
- AIR Breathable Back Upholstery (Tension Adjustable. Includes Privacy Flap).....\$300
  - Removable Lumbar Contour Pack
  - Removable Lateral Contour Pack
- Omit Back Upholstery.....NCO

**PERMOBIL BACK SUPPORTS (Please see information on page 8 regarding product shipment) (Seating benefit) (Basic seating)**

**COMFORT ACTA-BACK® Back Support (Backs over 20" wide or tall subject to increase pricing)**

- Shell Height  10"  12"  14"  16"  18"  20"  22".....\$896
  - Comfort-Tek Cover  Stretch-Air Cover.....NCO
  - Comfort Privacy Flap.....\$58

**COMFORT ACTA-BACK® Deep Back Support (Backs over 20" wide or tall subject to increase pricing)**

- Shell Height  10"  12"  14"  16"  18"  20"  22".....\$896
  - Comfort-Tek Cover  Stretch-Air Cover.....NCO
  - 3" Deep Wing  5" Deep Wing.....NCO
  - Comfort Privacy Flap.....\$58

**COMFORT ACTA-EMBRACE® (Backs over 20" wide or tall subject to increase pricing)**

- Shell Height  10"  12"  14"  16"  18"  20"  22".....\$840
  - Comfort-Tek Cover  Stretch-Air Cover.....NCO
  - Comfort Privacy Flap.....\$58

**COMFORT ACTA-RELIEF**

- Shell Height  10"  12"  14"  16"  18"  20"  22" .....\$1,061  
 Comfort-Tek Cover  Stretch-Air Cover.....NCO  
 Comfort Privacy Flap.....\$58

**SEAT UPHOLSTERY AND SEATING**

- Tension Adjustable.....STD  
 Omit Seat Upholstery.....NCO

**PERMOBIL SEAT CUSHIONS** (Please see information on page 8 regarding product shipment) (Seating benefit) (Basic seating)

**Comfort Cushions** (Cushions over 20" wide subject to increase pricing)

- Comfort Curve Comfort-Tek Cushion.....\$150  
 Comfort Elements® Comfort-Tek Cushion (Odd size cushions subject to increased pricing).....\$121  
 Comfort Acta-Embrace™ Comfort-Tek Zero Elevation Cushion.....\$522  
 Comfort M2 Zero Elevation Cushion with Comfort-Tek cover.....\$580

**ROHO® Cushions** (Cushions over 20" wide subject to increase pricing)

- ROHO Single Compartment  Low Profile  Mid Profile  High Profile .....\$637  
 ROHO Quadro Select  Low Profile  Mid Profile  High Profile .....\$711  
 ROHO Hybrid Elite  Single Compartment  Dual Compartment.....\$739  
 ROHO Hybrid Select .....\$756

**CUSTOM CONFIGURATION OPTIONS**

**FRONT WHEELS** (Please reference table in front hanger section for compatibility)

**3" Casters**

- 3"x1.5" LiteSpeed Billet Aluminum Wheel w/ Soft Roll Tire  Silver Hub **OR**  Black Hub.....\$221 A1

**4" Casters**

- 4"x1.5" LiteSpeed Plastic Wheel w/Soft Roll Tire.....STD  
 4"x.75" Plastic Wheel w/Poly Tire.....\$70 A1  
 4"x.75" Light-Up Micro-Caster.....\$135 A1  
 4"x1.5" LiteSpeed Billet Aluminum Wheel w/Soft Roll Tire  
 Silver Hub **OR**  Black Hub.....\$202

**5" Casters**

- 5"x1.5" LiteSpeed Plastic Wheel w/Soft Roll Tire.....STD  
 5"x1" Plastic Wheel w/Poly Tire.....\$55  
 5"x1.5" LiteSpeed Billet Aluminum Wheel w/Soft Roll Tire  
 Silver Hub **OR**  Black Hub.....\$274 A1

**6" Casters**

- 6"x1.5" LiteSpeed Plastic Wheel w/Soft Roll Tire.....STD  
 6"x1" Plastic Wheel w/Poly Tire.....\$55  
 6"x1.5" LiteSpeed Billet Aluminum Wheel w/Soft Roll Tire  
 Silver Hub **OR**  Black Hub.....\$264 A1

**8" Front Wheels**

- 8"x1" Plastic Wheel w/Poly Tire .....NCO

**FRONT FORKS**

- TiLite Standard Fork .....STD  
 Glide Suspension Fork(Max user weight 265 lbs).....\$568 A1  
 Rider's Weight:  125 lbs.  125-180 lbs.  180-265 lbs.

**REAR WHEELS** (See Rear Seat Height Ranges Chart for Rear Seat Height D limitations)

**ONE ARM DRIVE**

- One Arm Drive (Requires 24" Rear Wheel and 0° Camber, N/A with HD.).....\$1,092 W104  
 Install on  Left **OR**  Right

# TiLite X Canadian AADL Order Form

Folding Frame – W333

Effective October 2024 (New items in red)

Page 5 of 8

**STANDARD REAR WHEELS** (See Rear Seat Height Ranges Chart for Rear Seat Height D limitations)

	22" (501)	24" (540)	25" (559)	26" (590)
TiLite Wheels	<input type="checkbox"/> STD	<input type="checkbox"/> STD	<input type="checkbox"/> STD	<input type="checkbox"/> STD

When ordering 24" wheel with treaded pneumatic or treaded tire with airless inserts and aluminum black or silver anodized handrims and long tabs, the chair will ship with TiLite standard rear wheel. Otherwise, the chair will ship TiLite Shadow rear wheel.

**ALTERNATIVE REAR WHEELS** (See Rear Seat Height Ranges Chart for Rear Seat Height D limitations.) (Client cost)

	22" (501)	24" (540)	25" (559)	26" (590)
X-Core Mag®	<input type="checkbox"/> \$268	<input type="checkbox"/> \$268		
Spinergy Spox <input type="checkbox"/> Black <input type="checkbox"/> Red <input type="checkbox"/> Blue <input type="checkbox"/> White	<input type="checkbox"/> \$1,291	<input type="checkbox"/> \$1,291	<input type="checkbox"/> \$1,291	<input type="checkbox"/> \$1,291
Spinergy LX <input type="checkbox"/> Black <input type="checkbox"/> Red <input type="checkbox"/> Blue <input type="checkbox"/> White <input type="checkbox"/> Bright Orange <input type="checkbox"/> Flamingo Pink <input type="checkbox"/> Purple	<input type="checkbox"/> \$1,399	<input type="checkbox"/> \$1,399	<input type="checkbox"/> \$1,399	<input type="checkbox"/> \$1,399
Spinergy Design Lab LX (Available with black spokes only.) <input type="checkbox"/> Gold Anodize <input type="checkbox"/> Green Anodize <input type="checkbox"/> Blue Anodize <input type="checkbox"/> Red Anodize <input type="checkbox"/> Purple Anodize <input type="checkbox"/> Orange Anodize	<input type="checkbox"/> \$2,155	<input type="checkbox"/> \$2,155	<input type="checkbox"/> \$2,155	<input type="checkbox"/> \$2,155

X-Core Mags requires Aluminum Silver Anodized Handrims with long tabs. N/A with Heavy Duty Frame, Quad Release Axles, Spoke Guards

**PNEUMATIC REAR TIRES**

- Treaded pneumatic (N/A with 25"(559) rear wheels).....STD
- Treaded with Airless Inserts (N/A with 25"(559) rear wheels).....\$157 A1
- MBL SpeedLite.....STD
- Primo Sentinel.....\$172 A1
- Schwalbe® Marathon Plus Evolution (N/A with Mag or 22" (501) wheels).....\$183 A1
- Primo C-763 Knobby (Available on 24"(540) rear wheels).....\$139 A1

**SOLID REAR TIRES**

- Primo Active (Available with 24"(540) and 25"(559) Rear Wheels).....\$149
- Primo Orion (Replaces Primo Express) (N/A with 26"(590) Rear Wheels).....\$149

**CAMBER** (Rear wheel spacing will be set to minimum value allowed by your configuration)

- 0°  2°  4°.....STD

**AXLES**

- Stainless Quick Release.....STD
- Quad Release (N/A with Mag, 24"(540)/25" (559) Spinergy Spox or Spinergy LX Rear Wheels).....\$136 A2
- Fixed Non-removable.....\$150 A2

**HANDRIMS**

- Aluminum –  Silver Ano **OR**  Black Ano.....STD
- Plastic Coated – Black.....\$140
- Omit Handrims.....NCO

**The Natural-Fit® – Original, Larger Profile**

- Standard Grip (Requires Long Tabs).....\$462 A1
- Super Grip (Requires Long Tabs).....\$503 A1
- Without Thumb Grip.....\$421 A1

**The Natural-Fit® LT – Reduced Weight, Smaller Profile**

- Standard Grip (Requires Long Tabs).....\$486 A1
- Super Grip (Requires Long Tabs).....\$555 A1
- Without Thumb Grip.....\$457 A1

**The Surge (All-In-One Oval with Gription™ Strip)**

- The Surge (Larger Profile).....\$535 A1
- The Surge LT (Smaller Profile).....\$503 A1

**Q Grip (High-Friction, Anti-Slip Coating)**

- Q-Grip.....\$535 A1

**TAB LENGTH**

- Long Tabs.....STD
- Short Tabs (N/A with Mag Rear Wheels).....\$37

**SPOKE GUARDS**

- Clear Lexan (N/A with Mag Rear Wheels).....\$214 A1



**WHEEL LOCKS**

**Aluminum Wheel Locks**

- Push to Lock ..... **STD**
- Pull to Lock ..... **STD**
- Extension Handles for Aluminum Push/Pull to Lock ..... **\$62**

**Composite Wheel Locks**

- Compact Composite Push to Lock ..... **\$139 A1**
- Compact Composite Pull to Lock ..... **\$139 A1**
- Extension Handles for Compact Composite Push/Pull to Lock ..... **\$100 A1**
- Compact Composite Scissor Lock ..... **\$171 A1**

**Additional Wheel Locks**

- Grade Aids, Push to Lock (Requires pneumatic tires) ..... **\$410 A1**
- Hemi Wheel Lock –  Left **OR**  Right ..... **\$356 A1**

**SIDE GUARDS**

**ALUMINUM SIDE GUARDS**

- Rigid Removable  Small  Standard ..... **\$248 A2**
- Quad Removable w/ Hole  Small  Standard ..... **\$269 A2**

**ARMRESTS**

- Omit ..... **NCO**

**Standard Armrest**

- Fixed Height Non-Removable Armrest (N/A with Heavy Duty) ..... **STD**

**Swing Away Tubular Armrests (N/A HD, Bolt on push handles or Transit/Transport option)**

- Height Adjustable ..... **\$221**
- Range:  9" to 12" **OR**  12" to 15"

- Height Adjustable with Sideguards (Side guard will be NCO) (N/A with Heavy Duty) ..... **\$358**
- 9" to 12" **OR**  12" to 15"

**T-Style Armrests (Requires minimum seat depth of 15")**

- 2-Point Flip Back Height Adjustable T-Style Armrest (N/A with Folding Angle, Adjustable Height Seat Back) ..... **\$319**
- 8" to 12" **OR**  10" to 14"
- Desk Length Pad (10") **OR**  Full Length Pad (14")

- Removeable Height Adjustable T-Style Armrest ..... **\$304**
- 8" to 12" **OR**  10" to 14"
- Desk Length Pad (10") **OR**  Full Length Pad (14")

**POSITIONING BELTS (Basic seating)**

- Velcro Adjustable, Black Nylon Webbing ..... **\$66**
- Bodypoint® 2" Wide Push-Button Buckle (Auto-Style) ..... **\$111**
- Bodypoint® 1.5" Wide Push-Button Buckle Padded (Auto-Style, N/A with 19" -20" Rear Widths) ..... **\$200**
- Bodypoint® 1" Wide Push-Button Buckle Padded (Auto-Style, N/A with 19" -20" Rear Widths) ..... **\$212**
- Bodypoint® EvoFlex® Pelvic Stabilizer Push Button ..... **\$217**
- Q'Straint® WC-19 Wheelchair-Anchored Pelvic Belt (Recommended for use with Transit Tie Down.) ..... **\$202**
- Bodypoint® Optional Band Clamp Mounting Hardware ..... **\$76**

**ACCESSORIES**

**ANTI-TIPS**

- Standard Rear Aluminum - Black ..... **\$140**
- User Friendly Flip-up ..... **\$394 A1**

**FUNCTIONAL ACCESSORIES**

- Upper Extremity Support Tray
- 12" to 14" **OR**  13" to 15" Seat Widths A (Requires T Style Armrests.) ..... **\$293**
- Luggage Carriers (N/A with High Mount Footrests.) ..... **\$147**

- Crutch Holder -  Left **OR**  Right .....\$227
- Oxygen Tank Holder –  Left **OR**  Right .....\$277

**SOFT GOODS ACCESSORIES**

- Permobil Medical Necessities Bag .....\$96
- Permobil Medical Necessities Seat Pouch .....\$62
- Bodypoint® Mobility Bag .....\$143
- Neoprene Impact Guards, Black .....\$181

**GENERAL**

Permobil manufactures TiLite manual wheelchairs in a wide variety of configurations to meet the varied needs of wheelchair users. The final selection of a particular model, its options and accessories, and its measurements rests solely with the wheelchair user and advising healthcare professional. These wheelchairs must be fitted by a qualified healthcare professional. HCPCS Codes are for reference purposes only. Actual coding and coverage varies by payer. Proper HCPCS coding is not a guarantee of payment. Please verify the appropriate payer’s coverage policy.

**Get the latest order forms at permobil.com.** Prices, standard features, options and accessories are subject to change without notice. All rights reserved. Trademarks are identified by symbols™ and ®. TiLite, TiFit, the TiLite logo, Ti, the Ti logo, and TiShaft are registered trademarks of TiSport, LLC and are licensed to Permobil. Permobil® is a registered trademark of Permobil. Adobe®, Acrobat®, Acrobat Professional® and Reader® are registered trademarks of Adobe Systems Inc. Bodypoint® is a registered trademark of Bodypoint Inc. Kenda® is a registered trademark of Kenda Rubber Industrial Co. Ltd. ROHO®, AGILITY®, Low Profile® and Quadro Select® are registered trademarks of ROHO Inc. Schwalbe® is a registered trademark of Ralf Bohle GmbH. The Natural-Fit® and Out-Front® are registered trademarks of Three Rivers Holdings, LLC. The ACTA-BACK®, ACTA-EMBRACE™, COMFORT-TEK™, COMPASS®, CURVE®, ELEMENTS®, and STRETCH AIR™ are registered trademarks of THE COMFORT COMPANY® and are licensed to Permobil. Q’Straint® is a registered trademark of Q’Straint Inc.

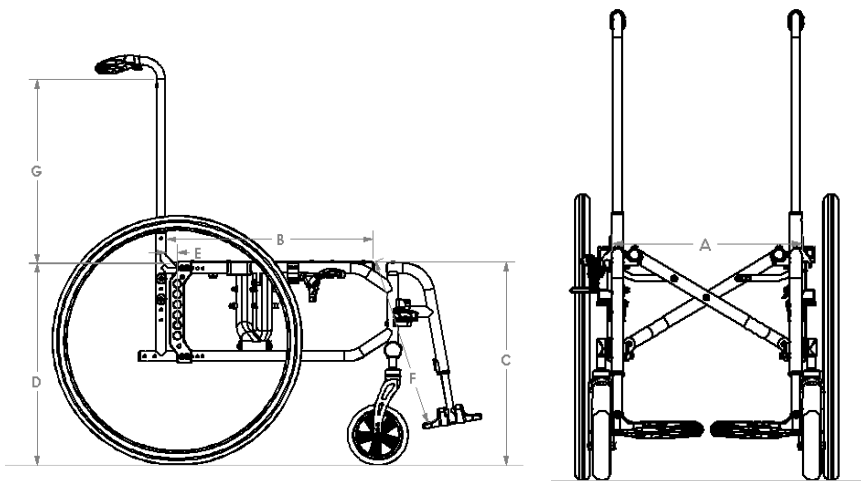
**QUOTE THIS CHAIR**

If you are using Adobe Acrobat, this order form may be converted into a quote request or into an order by clicking one of the buttons (this feature is available exclusively to Permobil dealers and distributors). A Quote or an Order Confirmation will be sent to you within 24 hours.

**ORDER THIS CHAIR**

**Measurement Guide**

- A** Seat Width - Measure from outside of seat tube at back post to the outside of the opposite seat tube at back post.
- B** Seat Depth - Measure from front of back post to the front edge of seat sling.
- C** Front Seat Height - Measure from floor to top of seat tube at front edge of seat sling.
- D** Rear Seat Height - Measure from floor to top of seat tube at back post.
- E** Center of Gravity - Measure from front of back post at the seat tube to the center of the rear axle.
- F** Seat to Footrest - Measure from front edge of seat sling to top rear of footrest
- G** Seat Back Height - Measure from top of back post to top of seat tube at rear of frame





## Seating and Positioning Shipping Information

The following Seating and Positioning products will ship with the chair. Cushions are stocked with Comfort Tek Cover and backs are stocked with Stretch Air Cover. All other Seating and Positioning products will be drop-shipped from the manufacturer. (Width x Depth)

Curve Cushion	Elements Cushion	Acta Embrace Cushion	M2 Cushion Zero Elevation	ROHO Single High Profile Cushion	ROHO Quadtro Cushion
18" x 18"	18" x 18"	18" x 18"	18" x 18"	18" x 18"	18" x 18"
16" x 16"	16" x 18"	16" x 18"	18" x 16"	16" x 18"	16" x 16"
16" x 18"	18" x 16"	16" x 16"	20" x 16"	16" x 16"	20" x 16"
			20" x 20"		20" x 18"
			16" x 16"		

Acta Back	Acta Embrace Back	Acta Relief Back	ROHO Agility Mid Active	ROHO Agility Min Active
18" x 12"	18" x 16"	18" x 16"	18" x 10"	18" x 10"
18" x 16"	16" x 16"	16" x 16"	16" x 10"	16" x 10"
16" x 16"		18" x 12"		
16" x 12"		16" x 12"		

## SpeedControl Dial Compatibility Information

### SpeedControl Dial Compatibility:

SpeedControl Dial mounting will require Aluminum or Composite push/pull wheel locks and a seat depth greater than 14". The following configurations are compatible with the SpeedControl Dial. Both wheel locks work with all 19" and 20" seat depth configurations. Please consider this when selecting your free wired controller for SmartDrive.

- : Aluminum push/pull wheel lock compatible
- : Composite push/pull wheel lock compatible

Seat depth	Center of gravity	Rear wheel sizes				Seat depth	Center of gravity	Rear wheel sizes			
		22"	24"	25"	26"			22"	24"	25"	26"
15" - 16"	1"	●	●	●	●	17" - 18"	1"	●○	●○	●○	●○
	1.5"	●	●	●	●		1.5"	●○	●○	●○	●○
	2"	●	●				2"	●○	●○	●○	●
	2.5"	●					2.5"	●○	●○	●	●
	3"	●					3"	●○	●	●	●
	3.5"						3.5"	●○	●		
	4"						4"	●	●		